
IEEE P802.15
Wireless Personal Area Networks

Project	IEEE P802.15 Working Group for Wireless Personal Area Networks (WPANs)		
Title	<Preliminary draft for 4k>		
Date Submitted	[April 22, 2012]		
Source	[Monique Brown] [<On Ramp Wireless, Inc.>] [San Jose, California U.S.A.]	Voice: [+1 954 608 7521] Fax: [] E-mail: [monique.brown@ieee.org]	
Re:	15-11-0863-03-004k-lecim-dsss-draft-text 15-11-0864-04-004k-802-14-4k-fsk-phy-draft-text 15-12-0044-00-004k_Informative_annex 15-12-0882-03-004k-working-draft-for-tg4k-mac-work		
Abstract	[This document combines the work done thus far by TG4k into a single document.]		
Purpose	[This document is the first step in preparing a draft for letter ballot. Rev.1 includes the MAC text from doc. 15-12-0882-03. Rev. 2 includes new RSLN text and channel switching text for MAC; updates to channelization, addition of new bands, and inclusion of SFD values for FSK PHY; edits to preamble, interleaving, and modulation subclauses for DSSS. Rev. 3 includes most of the changes agreed to during the March 2012 meeting. For revisions beginning with rev. 4, the change bars in the margin indicate the text that was added since the previous revision.]		
Notice	This document has been prepared to assist the IEEE P802.15. It is offered as a basis for discussion and is not binding on the contributing individual(s) or organization(s). The material in this document is subject to change in form and content after further study. The contributor(s) reserve(s) the right to add, amend or withdraw material contained herein.		
Release	The contributor acknowledges and accepts that this contribution becomes the property of IEEE and may be made publicly available by P802.15.		

**IEEE Draft Standard for
Local and metropolitan area networks—**

**Part 15.4: Low-Rate Wireless Personal Area
Networks (WPANs)**

**Amendment X: Physical Layer Specifications for Low
Energy, Critical Infrastructure Monitoring Networks**

Sponsor

**LAN/MAN Standards Committee
of the
IEEE Computer Society**

Abstract:

Keywords: low data rate, low power, LR-WPAN, PAN, personal area network, radio frequency, RF, wireless personal area network, WPAN

Copyright © 2012 by the Institute of Electrical and Electronics Engineers, Inc.
Three Park Avenue
New York, New York 10016-5997, USA
All rights reserved.

This document is an unapproved draft of a proposed IEEE Standard. As such, this document is subject to change. USE AT YOUR OWN RISK! Because this is an unapproved draft, this document must not be utilized for any conformance/compliance purposes. Permission is hereby granted for IEEE Standards Committee participants to reproduce this document for purposes of international standardization consideration. Prior to adoption of this document, in whole or in part, by another standards development organization permission must first be obtained from the IEEE Standards Activities Department (stds.ipr@ieee.org). Other entities seeking permission to reproduce this document, in whole or in part, must also obtain permission from the IEEE Standards Activities Department.

IEEE Standards Activities Department
445 Hoes Lane
Piscataway, NJ 08854, USA

IEEE Standards documents are developed within the IEEE Societies and the Standards Coordinating Committees of the IEEE Standards Association (IEEE-SA) Standards Board. The IEEE develops its standards through a consensus development process, approved by the American National Standards Institute, which brings together volunteers representing varied viewpoints and interests to achieve the final product. Volunteers are not necessarily members of the Institute and serve without compensation. While the IEEE administers the process and establishes rules to promote fairness in the consensus development process, the IEEE does not independently evaluate, test, or verify the accuracy of any of the information contained in its standards.

Use of an IEEE Standard is wholly voluntary. The IEEE disclaims liability for any personal injury, property or other damage, of any nature whatsoever, whether special, indirect, consequential, or compensatory, directly or indirectly resulting from the publication, use of, or reliance upon this, or any other IEEE Standard document.

The IEEE does not warrant or represent the accuracy or content of the material contained herein, and expressly disclaims any express or implied warranty, including any implied warranty of merchantability or fitness for a specific purpose, or that the use of the material contained herein is free from patent infringement. IEEE Standards documents are supplied “**AS IS.**”

The existence of an IEEE Standard does not imply that there are no other ways to produce, test, measure, purchase, market, or provide other goods and services related to the scope of the IEEE Standard. Furthermore, the viewpoint expressed at the time a standard is approved and issued is subject to change brought about through developments in the state of the art and comments received from users of the standard. Every IEEE Standard is subjected to review at least every five years for revision or reaffirmation. When a document is more than five years old and has not been reaffirmed, it is reasonable to conclude that its contents, although still of some value, do not wholly reflect the present state of the art. Users are cautioned to check to determine that they have the latest edition of any IEEE Standard.

In publishing and making this document available, the IEEE is not suggesting or rendering professional or other services for, or on behalf of, any person or entity. Nor is the IEEE undertaking to perform any duty owed by any other person or entity to another. Any person utilizing this, and any other IEEE Standards document, should rely upon the advice of a competent professional in determining the exercise of reasonable care in any given circumstances.

Interpretations: Occasionally questions may arise regarding the meaning of portions of standards as they relate to specific applications. When the need for interpretations is brought to the attention of IEEE, the Institute will initiate action to prepare appropriate responses. Since IEEE Standards represent a consensus of concerned interests, it is important to ensure that any interpretation has also received the concurrence of a balance of interests. For this reason, IEEE and the members of its societies and Standards Coordinating Committees are not able to provide an instant response to interpretation requests except in those cases where the matter has previously received formal consideration. At lectures, symposia, seminars, or educational courses, an individual presenting information on IEEE standards shall make it clear that his or her views should be considered the personal views of that individual rather than the formal position, explanation, or interpretation of the IEEE.

Comments for revision of IEEE Standards are welcome from any interested party, regardless of membership affiliation with IEEE. Suggestions for changes in documents should be in the form of a proposed change of text, together with appropriate supporting comments. Comments on standards and requests for interpretations should be addressed to:

Secretary, IEEE-SA Standards Board
445 Hoes Lane
Piscataway, NJ 08854
USA

Authorization to photocopy portions of any individual standard for internal or personal use is granted by the Institute of Electrical and Electronics Engineers, Inc., provided that the appropriate fee is paid to Copyright Clearance Center. To arrange for payment of licensing fee, please contact Copyright Clearance Center, Customer Service, 222 Rosewood Drive, Danvers, MA 01923 USA; +1 978 750 8400. Permission to photocopy portions of any individual standard for educational classroom use can also be obtained through the Copyright Clearance Center.

Introduction

This introduction is not part of IEEE P802.15.4k/D0.1, IEEE Draft Standard for Local and metropolitan area networks—Part 15.4: Low-Rate Wireless Personal Area Networks (WPANs)—Amendment X: Physical Layer Specifications for Low Energy, Critical Infrastructure Monitoring Networks.

This amendment specifies ...TBD

Notice to users

Laws and regulations

Users of these documents should consult all applicable laws and regulations. Compliance with the provisions of this standard does not imply compliance to any applicable regulatory requirements. Implementers of the standard are responsible for observing or referring to the applicable regulatory requirements. IEEE does not, by the publication of its standards, intend to urge action that is not in compliance with applicable laws, and these documents may not be construed as doing so.

Copyrights

This document is copyrighted by the IEEE. It is made available for a wide variety of both public and private uses. These include both use, by reference, in laws and regulations, and use in private self-regulation, standardization, and the promotion of engineering practices and methods. By making this document available for use and adoption by public authorities and private users, the IEEE does not waive any rights in copyright to this document.

Updating of IEEE documents

Users of IEEE standards should be aware that these documents may be superseded at any time by the issuance of new editions or may be amended from time to time through the issuance of amendments, corrigenda, or errata. An official IEEE document at any point in time consists of the current edition of the document together with any amendments, corrigenda, or errata then in effect. In order to determine whether a given document is the current edition and whether it has been amended through the issuance of amendments, corrigenda, or errata, visit the IEEE Standards Association website at <http://ieeexplore.ieee.org/xpl/standards.jsp>, or contact the IEEE at the address listed previously.

For more information about the IEEE Standards Association or the IEEE standards development process, visit the IEEE-SA website at <http://standards.ieee.org>.

Errata

Errata, if any, for this and all other standards can be accessed at the following URL: <http://standards.ieee.org/reading/ieee/updates/errata/index.html>. Users are encouraged to check this URL for errata periodically.

Interpretations

Current interpretations can be accessed at the following URL: <http://standards.ieee.org/reading/ieee/interp/index.html>.

Patents

Attention is called to the possibility that implementation of this standard may require use of subject matter covered by patent rights. By publication of this standard no position is taken with respect to the existence or validity of any patent rights in connection therewith. The IEEE is not responsible for identifying Essential Patent Claims for which a license may be required, for conducting inquiries into the legal validity or scope of Patents Claims or determining whether any licensing terms or conditions provided in connection with submission of a Letter of Assurance, if any, or in any licensing agreements are reasonable or non-discriminatory. Users of standard are expressly advised that determination of the validity of any patent rights, and the risk of infringement of such rights, is entirely their own responsibility. Further information may be obtained from the IEEE Standards Association.

Participants

At the time the draft of this standard was sent to sponsor ballot, the IEEE P802.15 Working Group had the following voting members:

Robert F. Heile, *Chair*
Rick Alfvín, *Co-Vice Chair*

Patrick W. Kinney, *Co-Vice Chair and Secretary*

James P. K. Gilb, *Working Group Technical Editor*

Patrick W. Kinney, *Task Group 4k Chair*

, *Task Group 4k Vice Chair*

Monique B. Brown, *Task Group 4k Technical Editor*

, *Task Group 4k Secretary*

<insert names here>

Major contributions were received from the following individuals:

The following members of the balloting committee voted on this standard. Balloters may have voted for approval, disapproval, or abstention. *<insert names here>*

When the IEEE-SA Standards Board approved this standard on *DD MM* 201*x*, it had the following membership: *<insert names here>*

,

Also included are the following nonvoting IEEE-SA Standards Board liaisons: *<insert names here>*

IEEE Standard for Local and metropolitan area networks—

Part 15.4: Low-Rate Wireless Personal Area Networks (WPANs)

Amendment X: Physical Layer Specifications for Low Energy, Critical Infrastructure Monitoring Networks

NOTE—The editing instructions contained in this amendment define how to merge the material contained therein into the existing base standard and its amendments to form the comprehensive standard.

The editing instructions are shown in *bold italic*. Four editing instructions are used: change, delete, insert, and replace. *Change* is used to make corrections in existing text or tables. The editing instruction specifies the location of the change and describes what is being changed by using ~~striethrough~~ (to remove old material) and underscore (to add new material). *Delete* removes existing material. *Insert* adds new material without disturbing the existing material. Deletions and insertions may require renumbering. If so, renumbering instructions are given in the editing instruction. *Replace* is used to make changes in figures or equations by removing the existing figure or equation and replacing it with a new one. Editing instructions, change markings, and this NOTE will not be carried over into future editions because the changes will be incorporated into the base standard.

1
2
3
4
5
6
7
8
9
10
11
12
13
14
15
16
17
18
19
20
21
22
23
24
25
26
27
28
29
30
31
32
33
34
35
36
37
38
39
40
41
42
43
44
45
46
47
48
49
50
51
52
53
54

1
2
3
4
5
6
7
8
9
10
11
12
13
14
15
16
17
18
19
20
21
22
23
24
25
26
27
28
29
30
31
32
33
34
35
36
37
38
39
40
41
42
43
44
45
46
47
48
49
50
51
52
53
54

3. Definitions, acronyms, and abbreviations

3.1 Definitions

Insert the following definitions alphabetically into 3.1:

repeater: A coordinator in a star network that relays IEEE Std 802.15.4 MAC frames either in the direction of the PAN coordinator or in the direction of a device.

slot-link: The pairwise assignment of a directed communication between the PAN coordinator and a device(s) in a given time slot.

3.2 Acronyms and abbreviations

Insert the following acronyms alphabetically into 3.2:

CDMA	code division multiple access
CIC	central inventory control
CLON	co-located orthogonal network
CVS	cell validation sequence
FCF	fragment cell footer
FCH	fragment cell header
HWSL	hybrid wakeup sample listening
I-ACK	fragment incremental acknowledgment
LECIM	low energy, critical infrastructure monitoring
OVSF	orthogonal variable spreading factor
PBRI	pruned bit reversal interleaving
P-FSK	position-based frequency shift keying
P-GFSK	position-based Gaussian frequency shift keying
RSLN	relayed slot-link network

1
2
3
4
5
6
7
8
9
10
11
12
13
14
15
16
17
18
19
20
21
22
23
24
25
26
27
28
29
30
31
32
33
34
35
36
37
38
39
40
41
42
43
44
45
46
47
48
49
50
51
52
53
54

1
2
3
4
5
6
7
8
9
10
11
12
13
14
15
16
17
18
19
20
21
22
23
24
25
26
27
28
29
30
31
32
33
34
35
36
37
38
39
40
41
42
43
44
45
46
47
48
49
50
51
52
53
54

4. General description

4.2 Components of the IEEE 802.15.4 WPAN

Insert the following paragraph at the end of 4.2:

Low energy critical infrastructure monitoring (LECIM) networks typically are asymmetric in power consumption and capability, with a coordinator that is mains powered (or otherwise provided a substantial power source), and have energy constrained endpoints which must have minimum energy consumption.

4.3 Network topologies

4.3.1 Star network formation

Insert the following paragraphs at the end of 4.3.1:

LECIM networks primarily operate in a star topology. The coordinator is not as limited with respect to energy and available resources as endpoints devices, in which energy consumption is critical and resources may be very limited. This asymmetry is a characteristic feature of the LECIM network.

For extending networking coverage, a star network may include repeaters that relay MAC frames synchronously inward to the PAN coordinator or outward to a device, to form a relayed slot-link network operating as a virtual star network. The higher layer of the repeater may use the procedure described in 5.1.2.7 to join a relayed slot-link network.

4.5 Functional overview

4.5.1 Superframe structure

4.5.1.1 General

Insert the following items at the end of the list in 4.5.1.1:

- Support for priority channel access in the contention access period (CAP) of the superframe structure, as described in 4.5.1.2
- Superframe structure described in 4.5.1.5, based on beacons defined in 5.2.2.1, with an Information Element (IE) defined in 5.2.4.24 (RSLN-enabled PAN descriptor)

Insert the following new subclause (4.5.1.5) after 4.5.1.4:

4.5.1.5 RSLN cyclic-superframe structure

The RSLN-enabled (i.e., *macRSLNenabled* is TRUE) PANs use the RSLN cyclic-superframe structure as described in 5.1.1.8. The PAN coordinator generates a cyclic-superframe that periodically transmits slotted-

superframes, which can be combined into multi-superframes, and contain a beacon slot, prioritized device slots, coordinator slots, and bidirectional device slots, as shown in Figure 4ba.

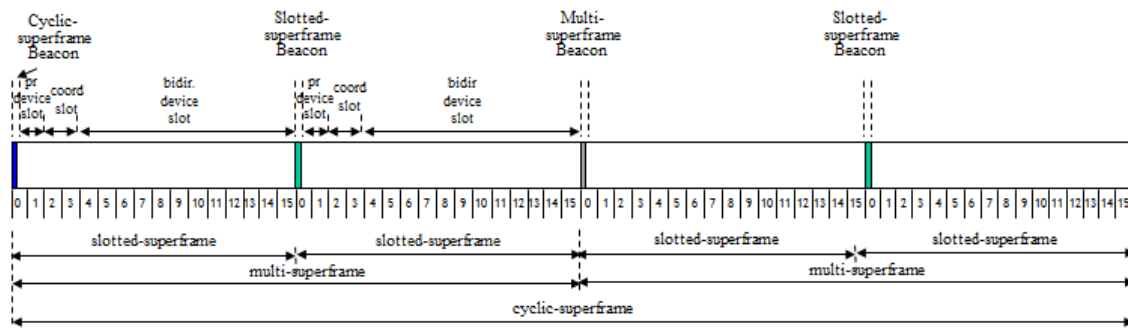


Figure 4ba—RSLN cyclic-superframe structure

The cyclic-superframe provides slot-links between the PAN coordinator and each device in the network. A slot-link is the timeslot assigned for pairwise directed communication between the PAN coordinator and a device(s). The prioritized device slots provide up-links to the coordinator for transmitting delay sensitive data from devices. The coordinator device slots provide down-links to devices for broadcasting frames. The bidirectional device slots are assigned to each device in an RSLN-enabled PAN and provide a bidirectional link between a certain device and the PAN coordinator.

4.5.2 Data transfer model

4.5.2.1 Data transfer to a coordinator

Insert the following paragraph at the end of 4.5.2.1:

In an RSLN repeater, two types of slot-links, the prioritized device slot and the bidirectional device slot, are relayed inward for transferring data to the PAN coordinator, as described in 5.1.6.7.

4.5.2.2 Data transfer from a coordinator

Insert the following paragraph at the end of 4.5.2.2:

In an RSLN repeater, two types of slot-links, the coordinator slot and the bidirectional device slot, are relayed outward for transferring data to a device, as described in 5.1.6.7.

4.5.4 Improving probability of successful delivery

Insert the following new subclause (4.5.4.1a) after 4.5.4.1:

4.5.4.1a CSMA-CA used with priority channel access

When using the critical event priority access in a nonbeacon-enabled PAN where unslotted carrier sense multiple access with collision avoidance (CSMA-CA) channel access mechanism is applied, priority channel access is achieved by an use of the alternate backoff mechanism, as described in 5.1.1.4.5. The alternate mechanism uses a fixed backoff window instead of an exponential backoff and will, on average,

provide less backoff duration for priority access than for normal access. In addition, the priority channel access continues to follow the channel, even if it is assessed to be busy, in order to gain immediate access to the channel once it is assessed to be idle.

Beacon-enabled PANs using a critical event priority access dedicate CAP time slots in the beginning of a superframe for priority channel access. Priority frames may commence in the priority slot(s) and continue through the duration of the CAP. Priority frames sent in the priority access slots utilize persistent CSMA-CA with a reduced contention window length and an alternate backoff mechanism for channel access, as described in 5.1.1.4.5. Priority frames sent in the non-priority slots of the CAP utilize CSMA-CA with an alternate backoff mechanism.

4.5.4.2 ALOHA mechanism

Insert following paragraph after the last paragraph of 4.5.4.2:

When operating in a beacon-enabled PAN, slotted ALOHA improves efficiency of channel access. When using slotted ALOHA with priority access, the first two time slots after the beacon are dedicated for priority channel access traffic. The backoff slot length is PHY dependent and should be able to accommodate, at minimum, the transmission of a single MPDU fragment.

Insert the following new subclause after 4.5.4.2:

4.5.4.2a MPDU fragmentation

With the addition of very low data rate PHY operating modes, the resulting increase in over-the-air duration of the MAC frame can lead to increased interference potential, susceptibility to channel conditions changing during the duration of a MAC frame transmission, and other effects that may reduce reliable transfer in some environments typical of LECIM applications. The long packet duration also brings a large cost for retransmission, both in terms of energy consumed and interference footprint. MPDU fragmentation can improve the probability of successful transmission and reduce the cost of retransmission. With fragmentation, each fragment is packaged into a PPDU for transmission, and this smaller PPDU has a reduced interference footprint. Also, retransmissions can be performed on a per fragment basis without needing to retransmit the entire original packet.

MPDU fragmentation operates on the complete MPDU and adapts it to the specific PHY and PHY operating mode. To reduce over-the-air overhead, some MAC header information is compressed or suppressed in the over-the-air exchange, by establishing a fragment sequence (transaction) context. The combination of the information in the fragment and the fragment sequence context provides identification of the individual fragment, the sequence to which it belongs, and where the fragment fits into the sequence. Each fragment carries an incremental validity check sequence for detecting errors. A schematic view of the fragmentation process is shown in Figure 6a.

In this standard, the term “fragment” refers to an individual MPDU fragment, the term “fragment sequence” refers to the collection of fragments transmitted that together comprise the original MPDU, “fragment

number” is the position in the sequence of an individual fragment, and the “fragment sequence ID” identifies the fragment sequence.

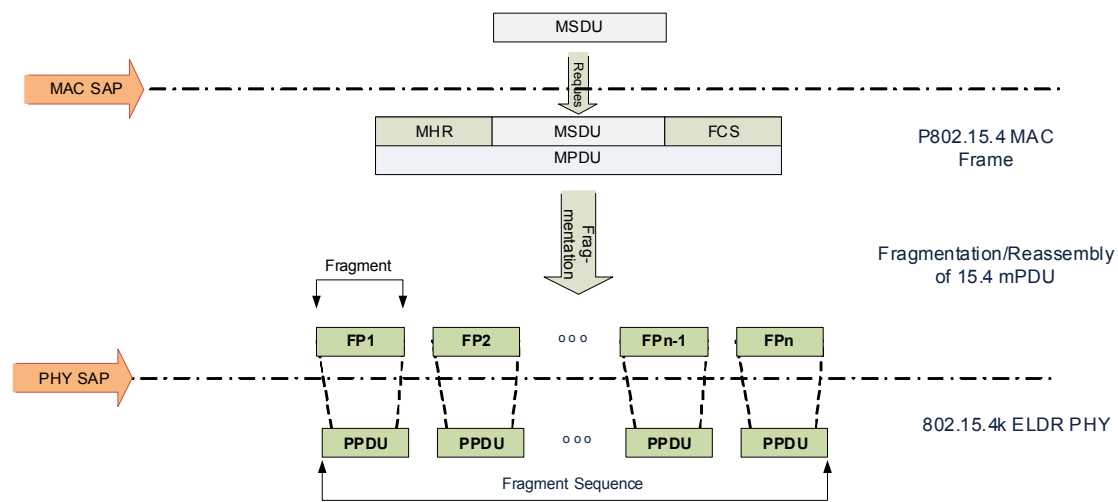


Figure 6a—Schematic view of MPDU fragmentation

Each fragment may be individually acknowledged and retransmitted. Retransmission of only the missed fragments can reduce air time and improve reliability. The complete MPDU transaction may be acknowledged.

4.5.4.3 Frame acknowledgment

Insert the following new subclauses (4.5.4.3.1, 4.5.4.3.2) after 4.5.4.3:

4.5.4.3.1 Fragment incremental acknowledgment (I-ACK)

The incremental acknowledgement (I-ACK) is used during the fragment sequence transfer to determine which fragments have been received successfully and which fragments need to be retransmitted. An I-ACK may aggregate the status of one or more fragments. The format of the I-ACK is given in 5.4.2.1.1.

4.5.4.3.2 MPDU completion acknowledgment

The MPDU acknowledgement mechanism may be used to report the status of a fragment sequence transaction upon reconstruction of the MPDU at the recipient. The reassembly and validation process may require processing time in the MAC sublayer or higher layers prior to transmitting the final acknowledgement. A method is provided to coordinate the acknowledgement. Because fragment failures may occur due to conditions on a specific frequency channel, transmitting the acknowledgement and subsequent retransmissions on a different channel may also be desirable. A coordination mechanism is provided to support this capability, as described in 5.4.2.3. Means are also provided to include feedback to the initiator of the transaction, such as link quality information (xref to IE definitions), which is made available to the higher layer and may be used for adjusting fragmentation parameters or PHY configuration based on performance.

4.5.4.4 Data verification

Insert the following paragraphs at the end of 4.5.4.4:

To accommodate individual fragment acknowledgement, a cell validation sequence (CVS) is included with each fragment. The recipient uses the CVS and fragment number to determine which fragments of the sequence have been received correctly and which are missing. The CVS is described in 5.4.1.2.

The reassembled MPDU also carries a frame check sequence (FCS). The MAC may apply this FCS as a validity check of the reassembled MPDU.

Insert the following new subclause (4.5.4.6) after 4.5.4.5:

4.5.4.6 Multiple grades of synchronous link access

In an RSLN-enabled PAN, to support the multiple requirements on the quality of relaying between the PAN coordinator and a device, three grades of synchronous link access are provided: grade 0 for transmitting delay sensitive data, grade 1 for the reliable transmission of data, and grade 2 for the best effort data transmission. The three grades are described in detail in 5.1.6.7.

4.5.5 Power consumption considerations

Insert the following new subclause (4.5.5.3) after 4.5.5.2:

4.5.5.3 Low energy extension of networking coverage by synchronous relaying

In a star network, the coverage of networking will be limited by the transmission range of the device. For low powered devices, transmission power may be limited to increasing the life span of the device within the network. Compared to the energy-constrained end point device, the abundantly powered coordinator can have greater responsibility to extend the coverage of the star network with no burden to a device while preserving the topology. In an RSLN-enabled PAN, a repeater provides synchronous relaying of the frames inward or outward between the PAN coordinator and a device, in order to extend the coverage of a star network.

1
2
3
4
5
6
7
8
9
10
11
12
13
14
15
16
17
18
19
20
21
22
23
24
25
26
27
28
29
30
31
32
33
34
35
36
37
38
39
40
41
42
43
44
45
46
47
48
49
50
51
52
53
54

1
2
3
4
5
6
7
8
9
10
11
12
13
14
15
16
17
18
19
20
21
22
23
24
25
26
27
28
29
30
31
32
33
34
35
36
37
38
39
40
41
42
43
44
45
46
47
48
49
50
51
52
53
54

5. MAC protocol

5.1 MAC functional description

Insert the following item at the end of the list in the first paragraph of 5.1:

- Providing a synchronous relaying mechanism between two peer MAC entities

5.1.1 Channel access

5.1.1.1 Superframe structure

Insert the following paragraph after the last paragraph of 5.1.1.1:

For relayed slot-link network (RSLN) applications, an additional superframe structure is required, as described in 5.1.1.8.

5.1.1.4 CSMA-CA algorithm

Insert the following new subclauses (5.1.1.4.5, 5.1.1.4.6) after 5.1.1.4.4:

5.1.1.4.5 CSMA with priority channel access

This subclause describes the alternate backoff procedure used to support priority channel access for transmission of a critical event priority message. This backoff procedure shall be used when the CCA returns channel busy and priority access is enabled.

When operating a LECIM PHY in a nonbeacon-enabled PAN using unslotted CSMA-CA, the critical event priority transmission may be initiated at any time. During transmission of a priority message, when the CCA returns a status of channel busy, the alternate backoff procedure shall be used: the backoff exponent BE remains constant for subsequent retransmissions. The first transmission attempt shall set BE to the value of $macMinBE-1$ (with a default value of $macMinBE = 2$). In addition, the priority channel access follows a persistent CSMA mechanism, where a device continues to monitor the channel and decrements the value of unit backoff periods any time the channel is sensed idle for a duration of a backoff slot, in order to gain access to the channel as soon as possible.

In a beacon-enabled PAN, a critical event priority message transmission may be initiated in any part of the CAP. When transmission is initiated in the priority time slots, and the CCA returns channel busy, the alternate backoff mechanism shall be used as follows: BE remains constant (tentatively two, or $macMinBE$) for retransmissions. The first transmission attempt shall set BE to the value of $macMinBE-1$.

When a critical event priority transmission is initiated within the CAP in a time slot that is not a priority access time slot, the primary CSMA-CA, as defined in 5.1.1.4, with the above alternate backoff mechanism shall be used.

5.1.1.4.6 LECIM ALOHA priority channel access

When critical event priority channel access is in use with CCA Mode 4 (ALOHA), priority channel access is achieved by using an alternate backoff mechanism. A backoff period is defined as $macLECIMALohaBackoffSlot$ durations. A $macLECIMALohaBackoffSlot$ duration is a both a PHY and deployment-dependent parameter. It shall be sufficiently long in order to accommodate the transmission of a single MPDU fragment with associated interframe spacing (IFS) periods and any ACK frames. The backoff window size shall stay constant during retransmissions

In beacon-enabled PANs, slotted ALOHA is applied for more efficient channel access. When critical event priority channel access is in use, the slot length shall be equal to *macLECIAlohaBackoffSlot* duration. In addition, the first two time slots after the beacon transmission are dedicated for priority channel access traffic. Priority frames may be transmitted in the entire CAP portion of the superframe.

5.1.1.7 LE-Functional description

Change the first paragraph of 5.1.1.7 as indicated:

This subclause specifies functionalities of devices supporting the following PIB attributes:

- *macCSLPeriod*
- *macRITPeriod*
- *macCSLMaxPeriod*
- *macHWSLMaxPeriod*
- *macHWSLPeriod*
- *macIRITEnabled*
- *macLowEnergySuperframeSupported*
- *macLowEnergySuperframeSyncInterval*

5.1.1.7.1 LE-Contention access period (LE-CAP)

Change the first paragraph of 5.1.1.7.1 as indicated:

When *macCSLPeriod* is non-zero, CSL is deployed in CAP, and HWSL is deployed in CAP when *macHWSLPeriod* is non-zero. CSL behavior is defined in 5.1.11.1, and HWSL behavior is defined in 5.1.11.3. The *macRITPeriod* shall be set to zero in a beacon-enabled PAN.

5.1.1.7.4 LE-Scan

Change the first paragraph of 5.1.1.7.4 as indicated:

When *macCSLPeriod* is nonzero, CSL is deployed in channel scans. When *macCSLMaxPeriod* is nonzero, each coordinator broadcasts beacon frames with a wakeup frame sequence. When *macHWSLPeriod* is nonzero, each endpoint device deploys HWSL in channel scans. When *macHWSLMaxPeriod* is nonzero, each coordinator sends a wakeup sequence. Both cases ~~This~~ allows devices to perform channel scans with low duty cycles.

Insert the following new subclauses (5.1.1.8–5.1.1.8.5) after 5.1.1.7.4:

5.1.1.8 Relayed slot-link network (RSLN) slot-link structure

5.1.1.8.1 General

The RSLN-enabled PAN provides slot-links between the PAN coordinator and each device in the network by generating a sequence of time slots (i.e., the slotted superframe) periodically. Time slots in a slotted-superframe may be a 1-to-1 link (i.e., a link between the PAN coordinator and a single device) or a 1-to-*n* link (i.e., a link between the PAN coordinator and *n* devices). To increase the number of available slot-links in an RSLN-enabled PAN, $2^{(MO-SO)}$ slotted-superframes may form a multi-superframe and $2^{(BO-SO)}$ slotted-superframes may form a cyclic-superframe.

A slot link is specified by the owner of the slot, the slot access method, and the slot relaying operation, as illustrated in Figure 11i. A slotted-superframe contains a beacon slot link, prioritized device slot links, coordinator slot links, and bidirectional device slot links.

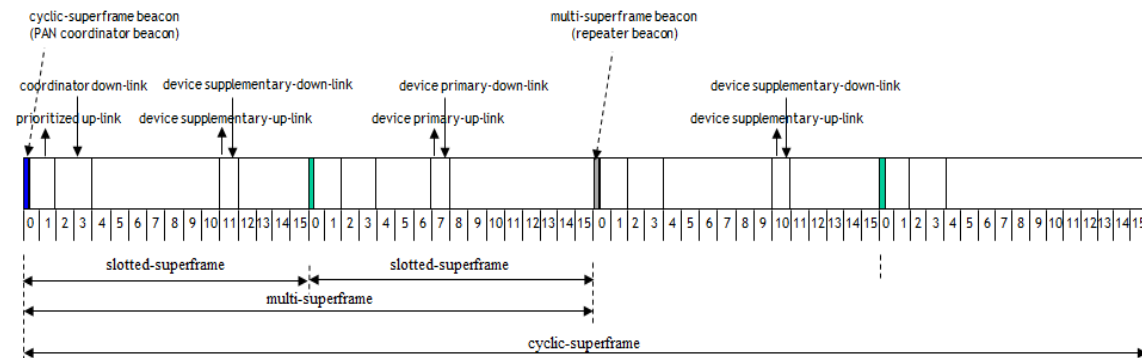


Figure 11i—Slot-links in an RSLN cyclic-superframe

5.1.1.8.2 Beacon slot

The beacon slot provides a link for transmitting a beacon from the PAN coordinator to devices. The cyclic-superframe beacon slot is reserved for the RSLN-enabled PAN coordinator. The beacon from the PAN coordinator is relayed by the repeater in its cyclic-superframe beacon slot. The beacon generated at the repeater is transmitted in the multi-superframe beacon slots, which are free from interference caused by the transmission of beacons from neighboring repeaters.

The start slot of the cyclic-superframe at each repeater is assigned when the repeater joins the RSLN-enabled PAN, as described in 5.1.2.7.

5.1.1.8.3 Prioritized device slot

The prioritized device slot provides a link for transmitting delay sensitive data or command frames from a device to the PAN coordinator. The prioritized device slot starts after the beacon and continues for *macNumPrioritizedDeviceSlot* time slots. The prioritized device slot is reserved in every slotted-superframe in a cyclic-superframe. At an RSLN repeater, the frame received in the prioritized device slot-link is relayed in the next available prioritized device slot.

The frame requesting grade 0 link access is transmitted in the prioritized device slot-link. The slotted ALOHA mechanism is applied to access the prioritized device slot-link.

5.1.1.8.4 Coordinator slot

The coordinator slot provides a link for transmitting command, acknowledgment, or data frames from the PAN coordinator to a device(s). The coordinator slot starts after the prioritized device slot and continues for *macNumCoordSlot* time slots. The coordinator slot is reserved in every slotted-superframe in a cyclic-superframe. At an RSLN repeater, the frame received in the inner coordinator slot-link is relayed to the coordinator slot of the slotted-superframe aligned synchronously to the inner coordinator, as described in 5.1.6.7.2.

1 The command frame to be broadcast is transmitted in the coordinator slot. The slotted ALOHA mechanism
2 is applied to access the coordinator slot-link.

3 4 **5.1.1.8.5 Bidirectional device slot**

5
6 Each bidirectional device slot provides a link for transmitting data or command frames either from a device
7 to the PAN coordinator or from the PAN coordinator to a device. One primary bidirectional device slot and
8 multiple supplementary bidirectional device slots are allocated to each device in an RSLN-enabled PAN.
9 The supplementary bidirectional device slot provides additional slot-links to a device or is used for
10 retransmitting a frame which failed to transmit in the primary bidirectional device slot. The number of the
11 bidirectional device slots within a cyclic-superframe is defined as *macNumBidirDeviceSlot*. If the number of
12 bidirectional device slots in a cyclic-superframe is larger than the number of devices in the RSLN-enabled
13 PAN, each device has a preemptive, primary bidirectional device slot-link.

14
15 At an RSLN repeater, the frame received in the bidirectional device slot-link is relayed to the bidirectional
16 device slot of the slotted-superframe aligned synchronously to the sender, as described in 5.1.6.7.2.

17
18 The command frame to a certain device, or the frame requesting grade 1 or grade 2 link access, is
19 transmitted on the bidirectional device slot. The link access mechanism of a bidirectional slot-link depends
20 upon the direction of transmission and the bidirectional device slot type. The slotted ALOHA mechanism is
21 applied by a device to access a primary bidirectional device slot.

22
23 A device shall use a slotted CSMA-CA mechanism when accessing a supplementary bidirectional device
24 slot-link. The PAN coordinator shall use a slotted ALOHA mechanism when accessing a primary
25 bidirectional device slot-link.

26 27 **5.1.2 Starting and maintaining PANs**

28
29 *Insert the following new subclause (5.1.2.7–5.1.2.7.4) after 5.1.2.6:*

30 31 **5.1.2.7 RSLN-enabled PAN formation and maintenance**

32 33 **5.1.2.7.1 Starting an RSLN-enabled PAN**

34
35 An FFD is instructed to begin operating an RSLN-enabled PAN through the use of the MLME-
36 START.request primitive, as described in 6.2.12.1, with the PANCoordinator parameter set to TRUE and
37 the CoordRealignment parameter set to FALSE. The MAC sublayer shall update the cyclic-superframe
38 configuration and channel parameters, and shall issue the MLME-START.confirm primitive, as described in
39 6.2.12.2, with a status of SUCCESS.

40
41 An RSLN-enabled PAN is formed when the PAN coordinator advertises the presence of the network by
42 sending enhanced beacons in the cyclic-superframe beacon slot. The enhanced beacon contains the RSLN-
43 enabled PAN Descriptor IE:

- 44 — Cyclic-superframe specification, as defined in 5.2.4.24.1
- 45 — Time synchronization specification, as defined in 5.2.4.24.2
- 46 — Synchronous relaying information, as defined in 5.2.4.24.3
- 47 — Indirect data transmission information, as defined in 5.2.4.24.4

48 49 50 **5.1.2.7.2 Forming a relaying path**

51
52 A device wishing to join the network as a repeater begins passively or actively scanning for the network as a
53 result of receiving an MLME-SCAN.request primitive from its next higher layer. The device selects the
54 PAN coordinator or a suitable inward repeater (i.e., repeater that is closest to the PAN coordinator) from the

list of RSLN-enabled PAN descriptors returned from the channel scan. The next higher layer should request through the MLME-ASSOCIATE.request primitive, as described in 6.2.2.1, that the MLME configure the following PHY and MAC PIB attributes to the values for association and then generate an RSLN association request command, as described in 5.3.15.1.

- RSLN-enabled PAN information (*phyCurrentChannel*, *phyCurrentPage*, *macPANId*)
- Inward coordinator information (*macCoordExtendedAddress* or *macCoordShortAddress*)
- Synchronous relaying information (*macRelayingTier*, *macRelayingSyncReference*)

The inward coordinator indicates the reception of an RSLN association request command through the MLME-ASSOCIATE.indication primitive, as described in 6.2.2.2. The next higher layer of the inward coordinator determines whether to accept or reject the device as a repeater and initiates a response using an MLME-ASSOCIATE.response primitive. The next higher layer of the inward coordinator selects the slotted-superframe starting to transmit a cyclic-superframe beacon of the device requesting association and provides a bitmap on occupied slotted-superframes in a cyclic-superframe for transmitting a beacon from the neighboring devices around the inward coordinator. When the MLME of the inward coordinator receives the MLME-ASSOCIATE.response primitive, it generates an RSLN-Association response command, as described in 5.3.15.2, and attempts to send the command to the device requesting association.

The device requesting association informs the next higher layer of the association response by using an MLME-ASSOCIATE.confirm primitive. The device successfully associating with the RSLN-enabled PAN starts to relay the MAC frames.

The structure of RSLN relaying tiers and an allocation of the beacon slots of the repeaters on the relaying tiers are illustrated in Figure 16b. The devices that are one hop away from the PAN coordinator form relaying tier 1 of the RSLN-enabled PAN. Devices that select the devices on relaying tier 1 as their inward repeaters form relaying tier 2 of the RSLN-enabled PAN. The relaying of an RSLN-enabled PAN is limited to seven tiers. The slotted-superframes of the relaying tiers are synchronously indexed to the cyclic-superframe of the PAN coordinator. The Beacon Bitmap field of the enhanced beacon specifies beacon slots in a cyclic-superframe occupied by the repeaters on the peer relaying tier, the repeaters on the one-hop inward relaying tier, and the repeaters on the one-hop outward relaying tier.

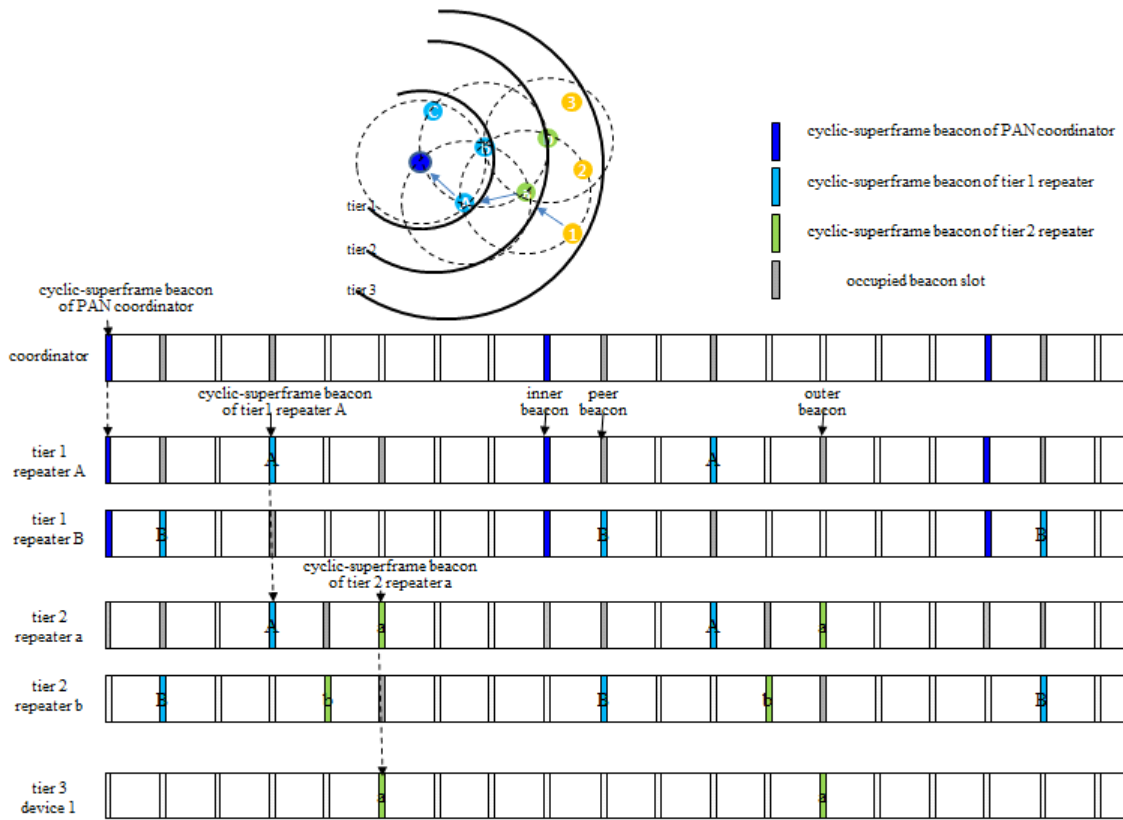


Figure 16b—RSLN-enabled PAN and beacon allocation on relaying tiers

5.1.2.7.3 Joining an RSLN-enabled PAN

A device wishing to join the network as an end point begins passively or actively scanning for the network as the result of receiving an MLME-SCAN.request from its next higher layer. The device selects the PAN coordinator or a suitable inward repeater from the list of RSLN-enabled PAN descriptors returned from the channel scan and shall be able to respond to the RSLN link management request command, as described in 5.1.2.7.4.

After joining, the device may use the prioritized device slot and the bidirectional device slots assigned to the device.

The primary bidirectional device slot and multiple supplementary bidirectional device slots for an end point or a repeater should be assigned at the starting phase. The algorithm for selecting bidirectional device slots is outside the scope of this standard.

5.1.2.7.4 Maintaining an RSLN-enabled PAN

The repeaters and end points in an RSLN-enabled PAN are synchronized with the clock time of the PAN coordinator. The clock time of the RSLN-enabled PAN is advertised outward to the repeaters and end points via the Time Synchronization Specification field of the RSLN-enabled PAN descriptor IE in the beacon

frame (5.2.4.24), the RSLN acknowledgment descriptor IE in acknowledgment frame (5.2.4.26), and the RSLN-Management response command (5.3.15.4).

The repeaters and end points compensate for the clock drift based on the statistical variance of the difference in the real start time of a given slot and the expected start time. The selection of a slot to be measured for collecting statistical data depends on the frame type carrying the time synchronization specification and the grade of link access. In the beacon frame, the Time Synchronization Specification field contains the start time of the beacon slot. In the acknowledgment frame and the RSLN-Management response command frame with grade 0 link access, the Time Synchronization Specification field contains the start time of the coordinator slot. In the acknowledgment frame and the RSLN-Management response command frame with grade 1 link access, the Time Synchronization Specification field contains the start time of the primary bidirectional device slot.

After starting an RSLN-enabled PAN, the PAN coordinator may check the status of a device, collect information on the configuration of repeaters on the RSLN relaying paths, and control the transmission power of a device with the RSLN management procedure.

To search for activated devices on the relaying path, the PAN coordinator uses the HELLO type of MLME-RSLN-MANAGEMENT primitives, as described in 6.2.23. The HELLO type of RSLN management command is relayed to the destination device. The destination device reports the current configuration of all the devices on the relaying path beyond the destination device, as defined in 5.3.15.4.2.

To get information on the device configuration, the coordinator uses the DEVICE type of MLME-RSLN-MANAGEMENT primitives. The destination device reports the current configuration, as defined in 5.3.15.4.2.

To get information on the relaying path configuration, the coordinator uses the PATH type of MLME-RSLN-MANAGEMENT primitives. The destination device reports the relaying path configuration identified at the device, as defined in 5.3.15.4.3.

To get information on the transmission power of a device, the coordinator uses the POWER_CONFIG type of MLME-RSLN-MANAGEMENT primitives. To control the transmission power of a device, the coordinator uses the POWER_CNTL type of MLME-RSLN-MANAGEMENT primitives. The requested transmission power is sent in PHY TX Power field of the Power Management Descriptor field, as defined in 5.3.15.4.4.

5.1.6 Transmission, reception, and acknowledgment

Insert the following sentence at the end of the first paragraph:

Additional processing is performed when the MPDU fragmentation is in use, as described in 5.4.

Insert the following new subclauses (5.1.6.7–5.1.6.7.3) after 5.1.6.6:

5.1.6.7 Synchronous relaying

5.1.6.7.1 Transmission

In an RSLN-enabled PAN, the next higher layer begins data transmission by issuing the MCPS-DATA.request primitive with the RSLN Relaying Specification IE ID and the grade of link access, as described in 6.3.1. On receipt of the MCPS-DATA.request primitive, the MAC sublayer entity transmits data frames.

1 For grade 0 link access, a device first searches the earliest prioritized device slot. If the device fails to
2 transmit the data in the prioritized device slot, the device will continue trying to transmit the data in either a
3 bidirectional device slot or in another prioritized device slot, whichever comes first. A device using grade 1
4 link access waits for the primary bidirectional device slot in the cyclic-superframe and transmits the data. If
5 the device fails to transmit the data in the primary bidirectional device slot, the device will keep searching
6 supplementary bidirectional device slots for the duration of the cyclic-superframe or will search the coming
7 cyclic-superframe for an opportunity to transmit the data. A device using grade 2 link access waits for the
8 primary bidirectional device slot in the cyclic-superframe and transmits the data without requiring an
9 acknowledgment.

10
11 When a device or the PAN coordinator generates an RSLN acknowledgment frame or RSLN MAC
12 command frame, a device or the PAN coordinator specifies the grade of link access applied to the relaying
13 of the frame.

14 15 **5.1.6.7.2 Relaying slot-link**

16
17 The repeater receives data frames and command frames generated from the PAN coordinator, the inward
18 repeater, the outward repeater, and end points. If received frames satisfy third-level filtering requirements,
19 as described in 5.1.6.2, except for the destination address matching, data frames are relayed by the MCPS
20 entity, and command frames are relayed by the MLME. The selection of the relaying slot-link depends on
21 the relaying direction and the type of slot-link receiving a frame.

22
23 The cyclic-superframe beacon received from an inward repeater or the PAN coordinator shall be relayed
24 outward by transmitting in the cyclic-superframe beacon slot of the repeater. The distance between the
25 cyclic-superframe beacon slot of the inward coordinator and the cyclic-superframe beacon slot of the
26 repeater shall be applied synchronously for relaying the frames received in the coordinator slot and the
27 bidirectional slots, as shown in Figure 29a.

28
29 When relaying the cyclic-superframe beacon, the repeater updates the Synchronous Relaying Specification
30 field of the RSLN-enabled PAN descriptor IE. When relaying the multi-superframe beacon, the repeater
31 changes the source address field with the address of the repeater and updates the Time Synchronization
32 Specification field and the Synchronous Relaying Specification field of the RSLN-enabled PAN descriptor
33 IE.

34
35 The prioritized device slot and the bidirectional device slots are relayed inward, as illustrated in Figure 29b.
36 The prioritized device slot of the outer coordinator or end point is relayed to the next available prioritized
37 device slot, as described in 5.1.2.7.4.

38
39 The frames received in the bidirectional device slot of the outer coordinator or the end point are relayed to
40 the bidirectional device slot of the inner coordinator. The distance between the slot-link relaying to the inner
41 coordinator and the cyclic-superframe beacon slot of the inner coordinator is the same as the distance
42 between the cyclic-superframe beacon slot of the outer coordinator and the received bidirectional device
43 slot.

When relaying a frame inward, the repeater updates the Relaying Specification field of the frame.

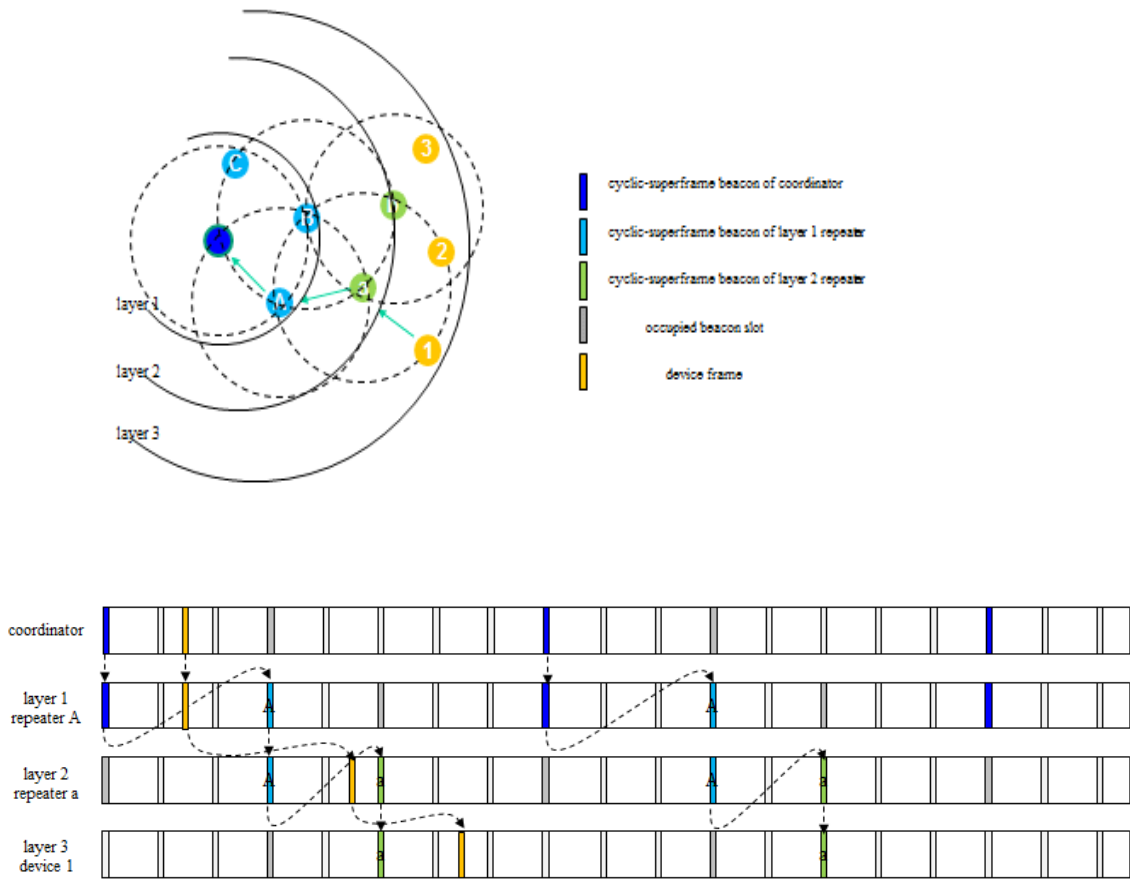


Figure 29a—Outward synchronous relaying in an RSLN-enabled PAN

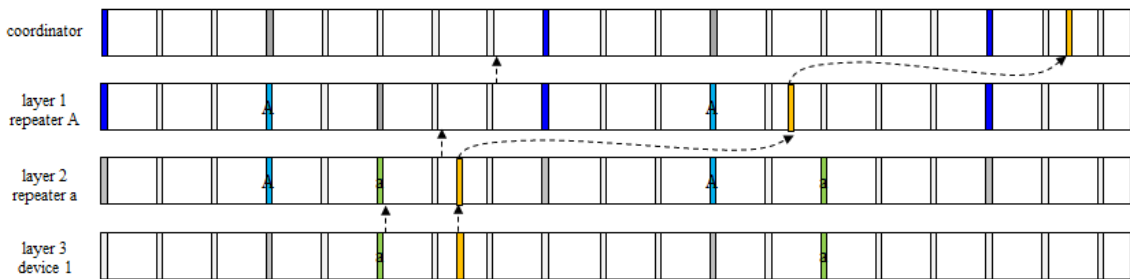


Figure 29b—Inward synchronous relaying in an RSLN-enabled PAN

1
 2
 3
 4
 5
 6
 7
 8
 9
 10
 11
 12
 13
 14
 15
 16
 17
 18
 19
 20
 21
 22
 23
 24
 25
 26
 27
 28
 29
 30
 31
 32
 33
 34
 35
 36
 37
 38
 39
 40
 41
 42
 43
 44
 45
 46
 47
 48
 49
 50
 51
 52
 53
 54

5.1.6.7.3 Acknowledgment and retransmission

In an RSLN-enabled PAN, the relayed data frame shall be acknowledged either via an end-to-end acknowledgment or via a slot-link acknowledgment. If an end-to-end acknowledgment is used, the acknowledgment frame generated in the PAN coordinator is relayed by the repeaters on the RSLN path along to the end device or vice versa. If a slot-link acknowledgment is used, the frame received successfully from a relayed slot-link is acknowledged to the repeater by transmitting the slot-link acknowledgment frame.

The slot-link acknowledgment frame is sent within the same time slot in which the frame is received, if there is enough time to complete the transmission of the slot-link acknowledgment frame before the end of the timeslot. Otherwise, the slot-link acknowledgment frame is sent in the coordinator slot of the following slotted-superframe. The end-to-end acknowledgment frame from the PAN coordinator is sent in the coordinator slot of the slotted-superframe to which the primary bidirectional device slot of the source device is assigned. The end-to-end acknowledgment frame from a device is sent in the primary bidirectional device slot of the device.

According to the grade of link access for transmitting a data frame, the RSLN acknowledgment procedure selects one of three modes: GRADE0_ACK, GRADE1_ACK, or GRADE2_ACK.

In the GRADE0_ACK mode, the repeater along the RSLN path to the destination generates the slot-link acknowledgment frame to the sender, and the destination device generates the end-to-end acknowledgment frame to the source device when the frame is successfully received at the destination, as illustrated in Figure 29c.

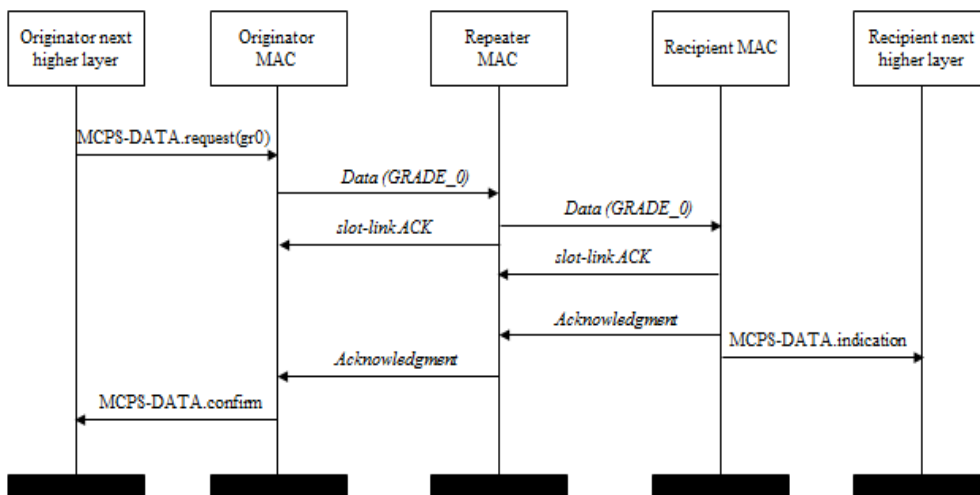


Figure 29c—Successful GRADE_0 data transmission in an RSLN-enabled PAN

If a slot-link acknowledgment is not received within *macAckWaitDuration* or a slot-link acknowledgment is received containing a DSN that is not the same as that of the original transmission, the repeater shall conclude that the single transmission attempt has failed. If a single transmission attempt has failed, the

repeater shall retransmit the frame in an alternative slot and wait for the slot-link acknowledgment, up to a maximum of $macMaxFrameRetries$ times, as illustrated in Figure 29d.

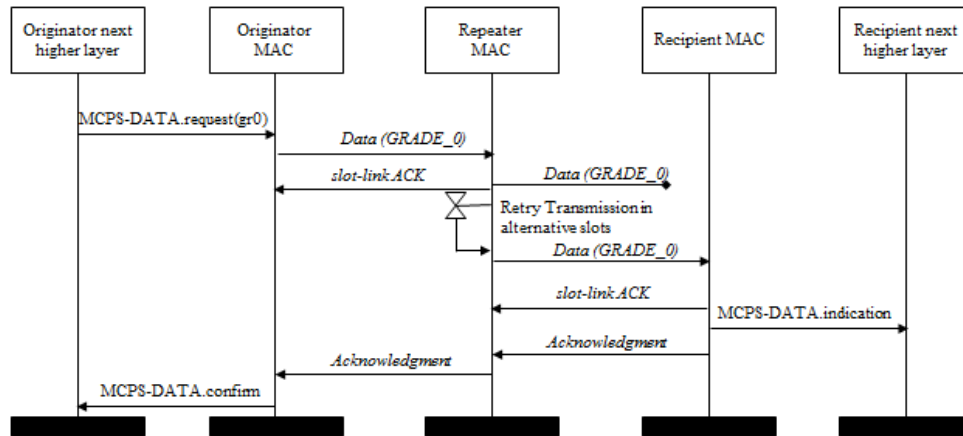


Figure 29d—Retransmission of the lost GRADE_0 data frame in an RSLN-enabled PAN

In the GRADE1_ACK mode, when the frame is received successfully at the destination, the destination generates the end-to-end acknowledgment frame. The end-to-end acknowledgment frame is relayed to the source device, as illustrated in Figure 29e.

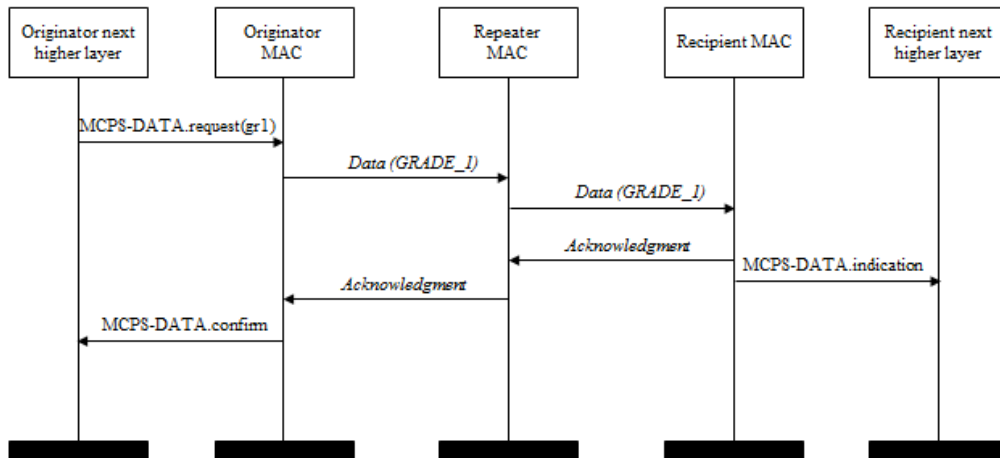


Figure 29e—Successful GRADE_1 data transmission in an RSLN-enabled PAN

If an end-to-end acknowledgment is not received within $BI \times macRelayingTier$ or an end-to-end acknowledgment is received containing a DSN that was not the same as that in the original transmission, the device shall conclude that the single transmission attempt has failed. If a single transmission attempt has

failed, the device shall retransmit the frame in an alternative slot and wait for the end-to-end acknowledgment, up to a maximum of *macMaxFrameRetries* times, as illustrated in Figure 29f.

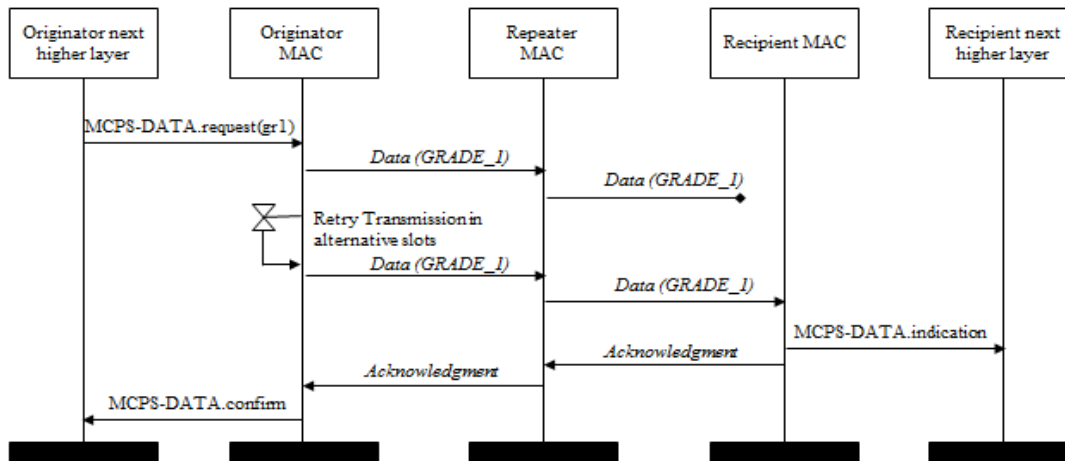


Figure 29f—Retransmission of the lost GRADE_1 data frame in an RSLN-enabled PAN

In the GRADE2_ACK mode, the received frame shall not be acknowledged by its intended recipient.

5.1.10 Deterministic and synchronous multi-channel extension (DSME)

5.1.10.1 DSME multi-superframe structure

Insert the following new paragraphs and Figure 34ga after the last paragraph of 5.1.10.1:

When *macExtendedDSMEEnabled* is TRUE, the value of MO is not upper-bounded by BO, and it is $SO \leq MO \leq 22$. Since the value of MO can be larger than that of BO, there can be multiple beacon intervals, BIs, within an MD.

An example of a multi-superframe structure with the value of MO larger than that of BO is shown in Figure 34ga..

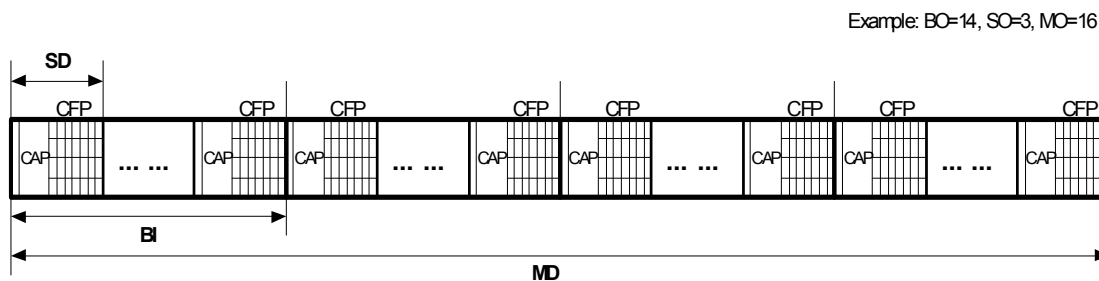


Figure 34ga—Example of DSME multi-superframe structure (MO>BO)

5.1.10.5 DSME-GTS allocation and management

5.1.10.5.3 DSME-GTS expiration

Insert the following two rows at the end of Table 1a:

Table 1a—Allocation counter table (*macDSMEACT*) description

Attribute	Type	Range	Description
<i>macAllocationOrder</i>	Integer	0x00–0x08	As defined in 5.3.11.3.6. If $MO \leq BO$, the value of AO shall be set to zero.
<i>macBeaconIntervallIndex</i>	Integer	0x00–0xff	As defined in 5.3.11.3.7.

5.1.11 LE-transmission, reception, and acknowledgment

Insert the following new subclauses (5.1.11.3–5.1.11.4.2) after 5.1.11.2.4:

5.1.11.3 LECIM alternate/hybrid LE scheme

5.1.11.3.1 General

The alternate/hybrid LE mode is active when *macLEEnabled* is TRUE while CSL and RIT are disabled, as indicated by *macCSLPeriod* and *macRITPeriod* both being set to zero.

The basic LECIM hybrid LE mode is illustrated in Figure 34sa.

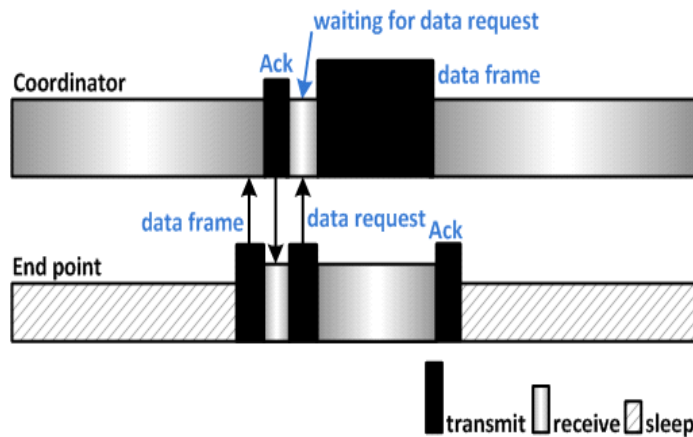


Figure 34sa—Basic LECIM LE mode operations

5.1.11.3.2 LECIM LE transmission

In LECIM networks, transmissions are mainly transmitted from an endpoint device to a coordinator. As described in Clause 4, the power of the coordinator is not as limited as that of the endpoint device when operating in LECIM LE mode. Therefore, the coordinator shall keep listening to the channel, except when it

1 has a data frame to send or needs to send beacon frames when *macLowEnergySuperframeSupported* is
2 TRUE.

3
4 An endpoint device shall keep sleeping for the normal time, unless it has a data frame to send. Then the
5 endpoint device shall enable its transmitter and send the data frame.

6
7 When *macLowEnergySuperframeSupported* is TRUE, an endpoint device shall send data frames using
8 either slotted ALOHA or slotted CSMA-CA. Otherwise, the endpoint device shall send data frames using
9 either unslotted ALOHA or unslotted CSMA-CA.

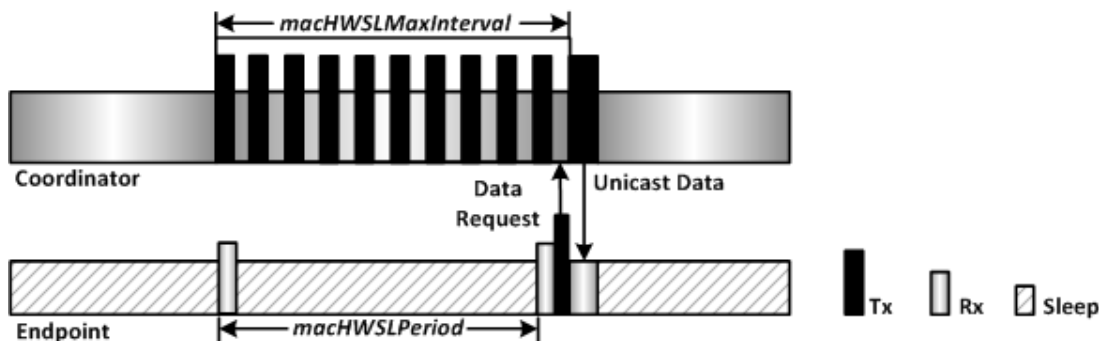
10
11 On receipt of a data frame from an endpoint device, the coordinator shall send an acknowledgement frame in
12 response. If the coordinator has a data frame to send to the same endpoint device, the coordinator shall
13 indicate the pending frame by setting the Frame Pending field of the Frame Control field of the
14 acknowledgement frame to one. Otherwise, the coordinator shall set the Frame Pending field to zero.
15

16
17 After sending the data frame to the coordinator, the endpoint device shall wait for *macAckWaitDuration*. If
18 an acknowledgment frame containing the same DSN as the original transmission is received within
19 *macAckWaitDuration*, the transmission is considered successful. Otherwise, the device shall conclude that
20 the transmission has failed, and the device shall retransmit the data frame up to a maximum of
21 *macMaxFrameRetries* times.

22
23 If the endpoint device received an acknowledgment frame from the coordinator indicating that the
24 coordinator has a pending frame, the endpoint device shall send a data request command to the coordinator
25 and wait for the corresponding data frame from coordinator. The Frame Pending field of the Frame Control
26 field in the received data frame shall determine whether the receiver is to be kept on or turned off following
27 the reception of the data frame.
28

29 **5.1.11.3.3 Hybrid wakeup sample listening (HWSL)**

30
31 The hybrid wakeup sample listening (HWSL) mode guarantees timely transmission from a coordinator to an
32 endpoint device(s). The HWSL mode shall be enabled when the PIB attribute *macHWSLEnabled* is set to
33 TRUE. If the value of the PIB attribute *macHWSLEnabled* is TRUE, the values of PIB attributes
34 *macCSLPeriod* and *macRITPeriod* shall be ignored.
35



36
37
38
39
40
41
42
43
44
45
46
47
48
49
50 **Figure 34sb—Unicast transmission in HWSL mode**

51
52
53 As described in 5.1.11.3.2, for daily transmission from the coordinator to an endpoint device(s), the
54 coordinator shall transmit the data the endpoint device until received data frames from the corresponding

endpoint device. In some cases, the latency will be very long, HWSL mode is used for the emergency data frame from the coordinator to the endpoint device, and support broadcast data frame from the coordinator.

A coordinator operating in HWSL mode shall listen to the channel continuously. If the coordinator has an emergency data frame to send, the transmission of the payload frame shall be preceded with a sequence of HWSL wakeup frames.

The HWSL wakeup sequence consists of a sequence of HWSL wakeup frames, and the interval between two consecutive HWSL wakeup frames is defined by the PIB attribute *macHWSLWakeupInterval*. The coordinator shall listen to the channel in between wakeup frame transmissions. The maximum length of an HWSL wakeup sequence is *macHWSLMaxPeriod*.

An endpoint device performs a channel sample every *macHWSLPeriod* time. If the channel sample does not detect any HWSL wakeup frames from the coordinator, the endpoint device shall disable the receiver until the next channel sample time.

If the coordinator has a unicast frame to send, the destination address of the HWSL wakeup frame shall be set to the address of the corresponding endpoint device. On receipt of the unicast HWSL wakeup frame by the endpoint device through channel sampling, the endpoint device shall first check the destination address. If the destination address matches that of the endpoint device, the endpoint device shall request that the higher layer stop periodic channel sampling. The endpoint device shall send a data request command to the coordinator and wait for a period of *macDataWaitDuration* for incoming unicast data frame.

If the coordinator receives a data request command from the corresponding endpoint device after sending a unicast HWSL wakeup frame, the coordinator shall stop sending the HWSL wakeup sequence and send the corresponding unicast data frame to the endpoint device immediately. Following that, the coordinator shall wait for a period of *macAckWaitDuration* for the acknowledgment from the endpoint device.

On receipt of the incoming unicast data frame, the endpoint device shall send a corresponding acknowledgment to the coordinator. If, after that, the endpoint device receives another unicast HWSL wakeup frame from the coordinator with a destination address that matches its own, the endpoint device shall retransmit the data request command up to a maximum of *macMaxFrameRetries* times.

If the next higher layer of the coordinator has multiple frames to transmit to the same endpoint device, the coordinator shall set the Frame Pending field of the Frame Control field to one in all but the last frame.

An HWSL unicast transmission is performed via the following steps by the MAC sublayer of the coordinator:

- a) Perform CSMA-CA to acquire the channel
- b) If the previously acknowledged unicast data frame had the Frame Pending field of the Frame Control field set to one and *macHWSLFramePendingWaitTime* has not been reached (defined in Table 52j), go to Step d.
- c) For the duration of the wakeup sequence length, transmit the HWSL wakeup frames according to the interval *macHWSLWakeupInterval*.
- d) If the coordinator has a pending unicast data frame to send, set the Frame Pending field of the Frame Control field to one, then transmit the unicast data frame.
- e) Wait for up to *macAckWaitDuration* symbol time for the acknowledgment frame if the Acknowledgment Request field in the unicast data frame was set to one.
- f) If the acknowledgment frame is received, go to Step g. Otherwise, start the retransmission process.
- g) If the coordinator has pending unicast data to send, go to Step b. Otherwise, exit HWSL mode and keep listening to the channel.

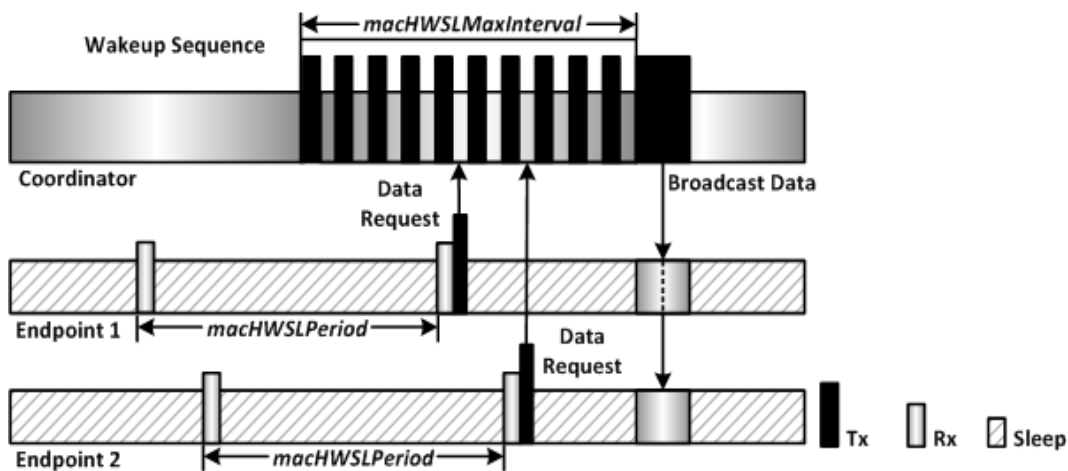


Figure 34sc—Broadcast transmission in HWSL mode

If the coordinator has a broadcast frame to send, the destination address of the HWSL wakeup frame shall be set to the broadcast address, and include the remaining time of the broadcast data frame transmission.

An endpoint device receiving the broadcast HWSL wakeup frame through channel sampling shall request that the higher layer stop the periodic channel sampling. The endpoint device shall then send a data request command to the coordinator and return to sleep for the remaining portion of time indicated by the broadcast HWSL wakeup frame. The endpoint device shall then turn on its receiver and wait for the corresponding broadcast data frame.

If the coordinator received a data request command from the corresponding endpoint device after sending a broadcast HWSL wakeup frame, the coordinator shall keep sending the HWSL wakeup sequence until it has received data request commands from all the endpoint devices or until *macHWSLMaxPeriod* has expired. The coordinator shall send the corresponding broadcast data frame in the designed time.

5.1.11.4 Implicit receiver initiated transmission (I-RIT)

5.1.11.4.1 General

The implicit receiver initiated transmission (I-RIT) is an alternative low energy MAC for nonbeacon-enabled PANs. I-RIT is designed to be used for end devices, such as sensors, that primarily transmit information to a coordinator but have no way of determining when they should make use of conventional RIT; in order to enable I-RIT in an end device, the PIB attribute *macIRITEnabled* is set to TRUE. Instead of transmitting a RIT data request, when an end device has I-RIT enabled, the device turns its receiver on for a known period of time, at a known interval after each transmission, so that the end device makes itself available to receive information from the coordinator. I-RIT mode is turned on when PIB attribute *macIRITPeriod* is non-zero and is turned off when *macIRITPeriod* is zero. The values of *macCSLPeriod* (in coordinated sample listening) and *macRITPeriod* shall be set to zero when the value of *macIRITPeriod* is non-zero. Transmission and reception in I-RIT mode is illustrated in Figure 34sd.

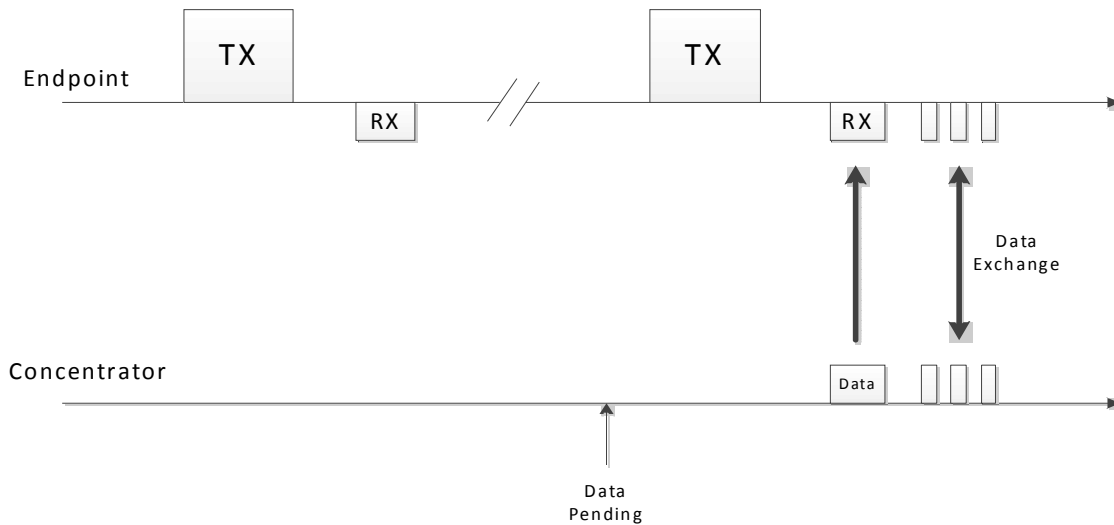


Figure 34sd—I-RIT transmission

5.1.11.4.2 I-RIT data request transmission and reception

In I-RIT mode, a device turns on its receiver *macIRITPeriod* symbol periods after the last bit of its transmitted frame for a period of *macIRITListenDuration* symbols in order to listen for an incoming frame. Then the device goes back to idle state until the next frame is transmitted.

5.2 MAC frame formats

5.2.1 General MAC frame format

5.2.1.1 Frame Control field

5.2.1.1.3 Frame Pending field

Change the third paragraph of 5.2.1.1.3 as indicated:

When operating in Low Energy (LE) CSL mode or HWSL mode, the frame pending bit may be set to one to indicate that the transmitting device has back-to-back frames to send to the same recipient and expects the recipient to keep the radio on until the frame pending bit is reset to zero.

5.2.1.9 FCS field

Change the first paragraph of 5.2.1.9 as indicated:

The FCS field of the MPDU and the cell validation sequence (CVS) field of fragment cells and I-ACK cells contains either a 16-bit ITU-T CRC or a 32-bit CRC equivalent to ANSI X3.66-1979. The FCS field of the MPDU is calculated over the MHR and MAC payload parts of the frame; the CVS field of the fragment cell or I-ACK cell is calculated over the FCH and fragment payload parts of the cell. The fields over which the CRC is calculated these parts together are referred to as the calculation field. Only devices compliant with

1
2
3
4
5
6
7
8
9
10
11
12
13
14
15
16
17
18
19
20
21
22
23
24
25
26
27
28
29
30
31
32
33
34
35
36
37
38
39
40
41
42
43
44
45
46
47
48
49
50
51
52
53
54

one or more of the SUN PHYs shall implement the 4-octet FCS. For these SUN PHY-compliant devices, the default FCS length shall be 4 octets.

5.2.2 Format of individual frame types

5.2.2.1 Beacon frame format

5.2.2.1.1a Information Elements (IEs) field

Change Table 3b (the entire table is not shown) as indicated:

Table 3b—EBR IEs per enabled attribute

Attribute request identifier	PIB attribute	IE type	IEs to include
3	<i>macLEenabled</i>	Header	LE CSL, or LE RIT, <u>or</u> HWSL <u>LE</u> (5.2.4.7, 5.2.4.8)
<u>TBD</u>	<i>macRSLNenabled</i>	Header	RSLN-enabled PAN Descriptor (5.2.4.24), RSLN Relaying Specification (5.2.4.25), RSLN ACK Descriptor (5.2.4.26)

5.2.4 Information element (IE)

5.2.4.2 Header information elements

Insert the following new rows at the end of Table 4b:

Table 4b—Element IDs, Header IEs

Element ID	Content length	Name	Description
<u>TBD</u>	Variable	MPDU Fragment Sequence Context Description	As defined in 5.2.4.23
<u>TBD</u>	Variable	RSLN-enabled PAN Descriptor	As defined in 5.2.4.24
<u>TBD</u>	2	RSLN Relaying Specification	As defined in 5.2.4.25
<u>TBD</u>	Variable	RSLN ACK Descriptor	As defined in 5.2.4.26

<Editor's note: Element ID values will be assigned by the 802.15 Numbering Authority.>

Insert the following new subclause (5.2.4.9a) after 5.2.4.9.5:

5.2.4.9a Extended DSME PAN descriptor IE

When *macExtendedDSMEEnabled* is TRUE, the Extended DSME PAN Descriptor IE shall be included in enhanced beacons that are sent every beacon interval in an Extended DSME-enabled PAN.

The format of the Extended DSME PAN Descriptor element shall be as illustrated in Figure 48ab.

Octets: 2	variable	2	8	variable	variable	0/1	variable
Superframe Specification	Pending Address	Extended DSME Superframe Specification	Time Synchronization Specification	Beacon Bitmap	Channel Hopping Specification	Hopping Sequence Length	Hopping Sequence

Figure 48ab—Format of Extended DSME PAN Descriptor IE

The Superframe Specification field is described in 5.2.2.1.2.

The Pending Address field is described in 5.2.2.1.6.

The Extended DSME Superframe Specification field shall be formatted as illustrated in Figure 48ac.

Bits: 0–7	8	9	10	11	12	13–15
Multi-superframe Order (MO)	Channel Diversity Mode	Reserved	CAP Reduction Flag	Deferred Beacon Flag	Hopping Sequence List Flag	Reserved

Figure 48ac—Format of the Extended DSME Superframe Specification field

The MO, Channel Diversity Mode, CAP Reduction Flag, and Deferred Beacon Flag fields of the Extended DSME Superframe Specification field are described in 5.2.4.9.1.

The Hopping Sequence List Flag field of the Extended DSME Superframe Specification field shall be set to one if an association request command is received before the enhanced beacon transmission and the Hopping Sequence ID of one is used in the DSME-enabled PAN.

The Time Synchronization Specification field is described in 5.2.4.9.2.

The Beacon Bitmap field is described in 5.2.4.9.3.

The Channel Hopping Specification field is described in 5.2.4.9.4. This field is valid only in the channel hopping mode (i.e., the value of the Channel Diversity Mode field in the DSME Superframe Specification is set to one).

The Hopping Sequence Length field is described in 5.3.11.3.4. This field is valid only if the Hopping Sequence List Flag field of the Extended DSME Superframe Specification field is one.

The Hopping Sequence field is described in 5.3.11.3.5. This field is valid only if the Hopping Sequence List Flag field of the Extended DSME Superframe Specification field is one.

Insert the following new subclauses (5.2.4.23–5.2.4.26) after 5.2.4.22:

5.2.4.23 MPDU Fragment Sequence Context Description IE

The MPDU Fragment Sequence Context IE contains a description of an MPDU being fragmented and associates this information with a unique fragmentation transaction ID. The transaction ID is transmitted

with each fragment to identify it as part of the MPDU described by the IE. The format of the IE is given in Figure 48no.

Octets: 2			1	2		variable	variable
Bits: 10	5	1		10	6		
Transaction ID	I-ACK Interval	Reserved	Fragment Size	MPDU Size	Addressing Information	Addressing field	PHY-dependent Parameters

Figure 48no—MPDU Fragment Context Description IE

5.2.4.23.1 Transaction ID field

The Transaction ID field contains a value that is locally unique in the PAN and identifies the fragment sequence. It associates the context information with each fragment in the transaction. The specific method for generating the transaction ID is implementation dependent and should assure that the current value is different from the preceding value.

5.2.4.23.2 I-ACK Interval field

The I-ACK Interval field indicates the I-ACK policy to be employed. For values from one to the maximum number of fragments, an I-ACK is generated by the receiving device after it has detected a fragment cell with the fragment number greater than or equal to the [(fragment number of last I-ACK) + (I-ACK interval)].

5.2.4.23.3 Fragment Size field

The Fragment Size field specifies the number of octets in each fragment. The final fragment may be padded.

5.2.4.23.4 MPDU Size field

The MPDU size field specifies the number of octets in the MPDU being fragmented, including the MHR and MFR fields.

5.2.4.23.5 Addressing Information field

The Addressing Information field describes the context of the addressing fields that follow. The fragment sequence description may contain any combination of source PAN ID, destination PAN ID, source address, and destination address in any of the allowable addressing modes defined by this standard. Figure 48np illustrates the format of this field.

Bit: 0	1	2–3	4–5	6
Source PAN ID Present	Destination PAN ID Present	Source Address Mode	Destination Address Mode	Reserved

Figure 48np—Addressing Information field format

The Source and Destination PAN ID Present fields shall be set respectively if a source and/or destination PAN ID is included in the Addressing field. The Source Address Mode field indicates the presence and format of a source address included in the Addressing field; the Source Address Mode field shall be set to one of the values given in Table 3. The Destination Address Mode field shall indicate the presence and format of a destination address included in the Addressing field, and the Destination Address Mode field shall be set to one of the values given in Table 3.

The setting of the Addressing Information field shall be determined by the PAN ID and addressing mode fields of the MPDU being fragmented.

5.2.4.23.6 Addressing field

The Addressing field contains source and/or destination addressing information associated with the MPDU being fragmented. The format is illustrated in Figure 48nq.

Octets: 0/16	0/16	0/8/16/64	0/8/16/64
Source PAN ID	Destination PAN ID	Source Address	Destination Address

Figure 48nq—Addressing field format

The content of this field shall be set according to the addresses contained in the MHR of the MPDU being fragmented.

5.2.4.23.7 PHY-dependent Parameters field

The value of the PHY-dependent Parameters field depends upon the PHY being used. The possible values are implementation dependent. Table 4j shows the format for the LECIM DSSS PHY defined in 19.1; Table 4k shows the format for the LECIM FSK PHY defined in 19.2.

Table 4j—PHY dependent fragment context parameters for LECIM DSSS PHY

Parameter	Bit position	Valid range	Parameter description
TBD	TBD	TBD	TBD

Table 4k—PHY dependent fragment context parameters for LECIM FSK PHY

Parameter	Bit position	Valid range	Parameter description
TBD	TBD	TBD	TBD

5.2.4.24 RSLN-enabled PAN Descriptor IE

The RSLN-enabled PAN Descriptor IE shall be included in enhanced beacons that are sent in an RSLN-enabled PAN.

The RSLN-enabled PAN Descriptor IE shall be formatted as illustrated in Figure 48nr.

Octets: 2	6	variable	variable
Cyclic-superframe Specification	Time Synchronization Specification	Synchronous Relaying Specification	Pending Slot Specification

Figure 48nr—RSLN-enabled PAN Descriptor IE

5.2.4.24.1 Cyclic-superframe specification field

The cyclic-superframe Specification field shall be formatted as illustrated in Figure 48ns.

Bits: 0–3	4–7	8–11	12–13	14–15
Beacon Order	Superframe Order	Multi-superframe Order	Number of Prioritized Device Slot	Number of Coordinator Slot

Figure 48ns—Cyclic-superframe Specification field format

The Beacon Order field is described in 5.2.2.1.2.

The Superframe Order field is described in 5.2.2.1.2.

The Multi-superframe Order field is described in 5.2.4.9.1.

The Number of Prioritized Device Slot field shall specify the number of time slots in a slotted-superframe assigned to the devices for prioritized inward transmission.

The Number of Coordinator Slot field shall specify the number of time slots in a slotted-superframe assigned to the coordinator for outward transmission.

5.2.4.24.2 Time Synchronization Specification field

The Time Synchronization Specification field is the timestamp in units of microseconds. It shall specify the start time of the slot in which the frame is transmitted.

5.2.4.24.3 Synchronous Relaying Specification field

The Synchronous Relaying Specification field shall be formatted as illustrated in Figure 48nt.

Octets: 2	1/2/4/8/16/32/64
Relaying Specification	Beacon Bitmap

Figure 48nt—Synchronous Relaying Specification field format

The Relaying Specification field is described in 5.2.4.25.

The Beacon Bitmap field contains the bitmap indicating the beacon slot of the slotted-superframe reserved for transmitting a beacon from neighboring devices. Each corresponding bit in the bitmap shall be set to one

if the beacon slot of the slotted-superframe is occupied; otherwise it is set to zero. The length of the beacon bitmap will be $2^{(macBeaconOrder - macSuperframeOrder - 3)}$ bits and is limited to 64 octets (i.e., $(macBeaconOrder - macSuperframeOrder) \leq 9$).

5.2.4.24.4 Pending Slot Specification field

The Pending Slot Specification field shall be formatted as illustrated in Figure 48nu.

Octets: 1	variable
Number of Pending Slots	Pending Slot Identifier

Figure 48nu—Pending Slot Specification field format

The Number of Pending Slots field contains the number of the bidirectional device slots pending the frame.

The Pending Slot Identifier field shall be formatted as illustrated in Figure 48nv.

Bits: 0–2	3–6	7–15
Relaying Tier Identifier	Slot Index	Slotted-superframe Index

Figure 48nv—Pending Slot Identifier field format

The Relaying Tier Identifier field contains the number of the relaying tier that generates a frame. The relaying tier of the PAN coordinator shall be set to zero.

The Slot Index field and the Slotted-superframe Index field specify the bidirectional device slot pending the frame.

5.2.4.25 RSLN Relaying Specification IE

The RSLN Relaying Specification IE shall be included in data, acknowledgment, and MAC command frames that are sent in an RSLN-enabled PAN.

The RSLN Relaying Specification IE shall be formatted as illustrated in Figure 48nw.

Bits: 0–2	3	4–5	6	7–15
Relaying Tier Identifier	RSLN Device Type	Grade of Link Access	Reference of Relaying Sync Indicator	Slotted-superframe Index

Figure 48nw—RSLN Relaying Specification IE

The Relaying Tier Identifier field contains the number of the relaying tier that generates a frame. The relaying tier of the PAN coordinator shall be set to zero.

The RSLN Device Type field shall be set to one if the device generating this IE is the repeater; otherwise it shall be set to zero.

The Grade of Link Access field is defined in Table 46.

The Reference of Relaying Sync Indicator field shall be set to one if this slotted-superframe is the first slotted-superframe of a cyclic-superframe; otherwise it shall be set to zero.

The Slotted-superframe Index field contains the index of the slotted-superframe transmitting a frame. The index of the first slotted-superframe in a cyclic-superframe of the PAN coordinator shall be set to zero.

5.2.4.26 RSLN ACK Descriptor IE

The RSLN ACK Descriptor IE shall be included in acknowledgment frames that are sent in an RSLN-enabled PAN.

The RSLN ACK Descriptor IE shall be formatted as illustrated in Figure 48nx.

Octets: 1	6	Variable
ACK Control Specification	Time Synchronization Specification (5.2.4.24.2)	List of DSN of the Acknowledged Frame

Figure 48nx—RSLN ACK Descriptor IE

The ACK Control Specification field shall be formatted as illustrated in Figure 48ny.

Bits: 0–1	2–5	6–7
ACK Type	Number of Group ACK Frames	Reserved

Figure 48ny—ACK Control Specification field format

The ACK Type, shown in Table 4l, identifies the acknowledgment modes for relaying frames.

Table 4l—Values of the ACK Type field

ACK Type value b_1b_0	Description
00	End-to-end ACK
01	Slot-link ACK
10	Group end-to-end ACK
11	Reserved

The Number of Group ACK Frames field contains an integer that represents the number of group acknowledged frames.

The List of DSN of the Acknowledged Frame field contains the sequence number of the frame acknowledged in group end-to-end acknowledgment mode.

5.3 MAC command frames

Change Table 5 (the entire table is not shown) as indicated:

Table 5—MAC command frames

Command frame identifier	Command name	RFD		Subclause
		Tx	Rx	
<u>TBD</u>	<u>HWSL wakeup</u>			<u>5.3.12.2</u>
<u>TBD</u>	<u>Channel switching notification</u>			<u>5.3.14</u>
<u>TBD</u>	<u>RSLN-Associate request</u>			<u>5.3.15.1</u>
<u>TBD</u>	<u>RSLN-Associate response</u>			<u>5.3.15.2</u>
<u>TBD</u>	<u>RSLN-Management request</u>	<u>X</u>	<u>X</u>	<u>5.3.15.3</u>
<u>TBD</u>	<u>RSLN-Management response</u>	<u>X</u>	<u>X</u>	<u>5.3.15.4</u>
<u>TBD</u> 0xff-0x21-0x3f	Reserved			—
0x44-0x5f	Reserved			—
0x61-0x62	Reserved			—
0x64-0xff	Reserved			—

<Editor's note: Command frame identifier values will be assigned by the 802.15 Numbering Authority.>

5.3.4 Data request command

Change the second paragraph of 5.3.4 as indicated:

There are ~~three~~ several cases for which this command is sent. On a beacon-enabled PAN, this command shall be sent by a device when *macAutoRequest* is equal to TRUE and a beacon frame indicating that data are pending for that device is received from its coordinator. The coordinator indicates pending data in its beacon frame by adding the address of the recipient of the data to the Address List field. This command shall also be sent when instructed to do so by the next higher layer on reception of the MLME-POLL.request primitive. In addition, a device may send this command to the coordinator *macResponseWaitTime* after the acknowledgment to an association request command. When operating in the LECIM LE mode, this command shall be sent by a device following an acknowledgment frame indicating that data are pending for that device, or the command shall be sent by a device receiving an HWSL wakeup frame that includes its own address as the destination address.

Insert the following paragraphs after the last paragraph of 5.3.4:

If, while operating in LECIM LE mode, the data request command is being sent by a device following the receipt of an acknowledgment indicating that data are pending for that device from the coordinator, the Destination Addressing Mode field shall be set according to the coordinator to which the data request command is directed. The Source Addressing Mode field shall be set to indicate short addressing.

If, while operating in LECIM LE mode, the data request command is being sent by a device following the receipt of an HWSL wakeup frame that includes its address in the pending address list, the Destination Addressing Mode field shall be set according to the coordinator that sent the HWSL wakeup frame. The Source Addressing Mode field shall be set according to the addressing mode used for the pending address.

5.3.11 DSME-commands

5.3.11.2 DSME-Association request command

Replace Figure 59g with the following figure:

Octets: variable (5.2.2.4.1)	1	1	1	2	0/1
MHR fields	Command Frame Identifier	Capability Information	Hopping Sequence ID	Channel Offset	Extended DSME-GTS Allocation

Figure 59g—DSME Association request command format

5.3.11.2.2 Capability Information field

Replace the contents of subclause 5.3.11.2.2 with the following text:

The Capability Information field shall be formatted as illustrated in Figure 59ga.

Bits: 0	1	2	3	4	5	6	7
Reserved	Device Type	Power Source	Receiver On When Idle	DSME Association Type	Reserved	Security Capability	Allocate Address

Figure 59ga—Capability Information field format

The Device Type field, Power Source field, Receiver On When Idle field, Security Capability field, and Allocate Address field are described in 5.3.1.2.

The DSME Association Type field shall be set to one if a device wishes to associate to a coordinator as a child. Otherwise, the DSME Association Type field shall be set to zero.

Insert the following new subclause (5.3.11.2.5) after 5.3.11.2.4:

5.3.11.2.5 Extended DSME-GTS Allocation field

The Extended DSME GTS Allocation field shall present if *macExtendedDSMEEnabled* is TRUE. This field shall be formatted as illustrated in Figure 59gb.

Bits: 0	1–4	5	6–7
Direction	Allocation Order	Hopping Sequence Request	Reserved

Figure 59gb—Extended DSME-GTS Allocation field format

The Direction field indicates whether the DSME-GTSs are being allocated for TX (data transmission) or for RX (data reception) of the requesting device. The value of this field shall be set to zero if the allocation is for TX. The value shall be set to one if the allocation is for RX.

The Allocation Order field is described in 5.3.11.3.6.

The Hopping Sequence Request field shall be set to one if *macHoppingSequenceID* is one. Otherwise, this field shall be set to zero.

5.3.11.3 DSME-Association response command

Replace Figure 59h with the following figure and add the following new subclauses (5.3.11.3.6–5.3.11.3.10):

Octets: variable	1	2	1	0/1	variable	
MHR fields	Command Frame Identifier	Short Address	Association Status	Hopping Sequence Length	Hopping Sequence	...

	0/1	0/1	0/2	0/1	0/2
...	Allocation Order	BI Index	Superframe ID	Slot ID	Channel Index

Figure 59h—DSME-Association response command format

5.3.11.3.6 Allocation Order field

The Allocation Order field shall indicate the DSME-GTS allocation interval. This field shall be set to the value of *macAllocationOrder*, AO. The value of AO and the DSME-GTS allocation interval are related as follows:

$$\text{DSME-GTS allocation interval} = 2^{(MO - BO)} / 2^{AO}$$

1
2
3
4
5
6
7
8
9
10
11
12
13
14
15
16
17
18
19
20
21
22
23
24
25
26
27
28
29
30
31
32
33
34
35
36
37
38
39
40
41
42
43
44
45
46
47
48
49
50
51
52
53
54

1 **5.3.11.3.7 BI Index field**
2

3 The BI Index field shall be present if *macExtendedDSMEEnabled* is TRUE. This field shall contain the
4 index of the beacon interval, BI, in which the DSME-GTS needs to be allocated. The BI Index is the
5 sequence number of the BI in a multi-superframe beginning from zero. The beacon interval in which the
6 PAN coordinator sends its beacons serves as the reference point (BI Index 0).
7

8 **5.3.11.3.8 Superframe ID field**
9

10 The Superframe ID field shall be present if *macExtendedDSMEEnabled* is TRUE. This field shall contain
11 the index of the superframe in which the DSME-GTS needs to be allocated. The Superframe ID is the
12 sequence number of the superframe in a multi-superframe beginning from zero. The superframe in which
13 the PAN coordinator sends its beacons serves as the reference point (Superframe ID 0). An example of
14 superframe IDs is illustrated in Figure 34h.
15

16 **5.3.11.3.9 Slot ID field**
17

18 The Slot ID field shall be present if *macExtendedDSMEEnabled* is TRUE. This field shall contain the index
19 of the DSME-GTS to be allocated. The slot ID is the sequence number of the DSME-GTS (not including
20 beacon or CAP slots) in a superframe beginning from zero. An example of slot IDs is illustrated in
21 Figure 34h.
22

23 **5.3.11.3.10 Channel Index field**
24

25 The Channel Index field shall be present if *macExtendedDSMEEnabled* is TRUE and the PAN runs on
26 channel adaptation mode, i.e., *macChannelDiversityMode* is 0x00. This field shall contain the channel
27 number of the DSME-GTS to be allocated.
28

29 **5.3.12 LE commands**
30

31 **Insert the following new subclauses (5.3.12.2, 5.3.12.2) after 5.3.12.1:**
32

33 **5.3.12.2 HWSL wakeup command**
34

35 The HWSL wakeup command is used by a coordinator to wakeup an endpoint device to keep wakeup or
36 wakeup at the indicated time to receive data frames from the coordinator. When *macHWSLEnabled* is
37 TRUE, coordinators shall be capable of sending this command, and endpoint device shall be capable of
38 receiving this command.
39

40 The HWSL wakeup command shall be formatted as illustrated in Figure 59ya.
41

Octets: variable (5.2.2.4.1)	1	4	2
MHR fields	Command Frame Identifier (Table 5)	HWSL Wakeup Information	FCS

42 **Figure 59ya—HWSL Wakeup command format**
43

44 The HWSL Wakeup Information field shall be formatted as illustrated in Figure 59yb.
45
46
47
48
49
50
51
52
53
54

Bits: 2	14	16
Pending Frame Type	HWSL Remain Time	Wakeup Address

Figure 59yb—HWSL Wakeup Information field

The Pending Frame Type field indicates the type of frame pending at the coordinator. Its format shall be as defined in Table 7aa.

Table 7aa—Values of Pending Frame Type field

Pending Frame Type value b_1b_0	Description
00	Unicast wakeup
01	Broadcast wakeup
10–11	Reserved

The HWSL Remain Time field specifies the time remaining to complete the reception of the incoming data frame. The range of the value of this field is 0x0000–0xffff, and the unit is 10 symbol durations. The HWSL Remain Time field may be set by the next higher layer when requesting a MAC sublayer transmission. The last HWSL wakeup command frame in the HWSL wakeup sequence shall set this field to zero. This field shall also be set to zero for unicast HWSL wakeup commands.

The Wakeup Address field indicates the address of the device that the coordinator wants to wakeup. This field only exists when the Pending Frame Type field is set to indicate a unicast HWSL wakeup command.

Insert the following new subclauses (5.3.14–5.4.2.3) after 5.3.13.3.2:

5.3.14 Channel switching notification command

The channel switch notification command is used by a device to notify a second device to switch operating channels at a specific time. In medical body area networks (MBANs), this command shall only be sent by a PAN coordinator. In LECIM networks, all devices that support fragmentation shall be capable of transmitting this command, and all devices shall be capable of receiving this command.

This command is optional.

*<Editor's note: According to the first paragraph, this command is not optional for LECIM devices. Is it optional for MBAN devices (not that we should specify MBAN behavior here - at least not in our final draft)? I *think* what is meant is that the command is optional for all non-LECIM and non-MBAN, non-PAN coordinator devices.>*

The channel switching notification command shall be formatted as illustrated in Figure 59dda.

5.3.14.1 MHR fields

The Destination Addressing Mode field and the Source Addressing Mode field shall be set to indicate extended addressing for MBAN devices and short addressing for LECIM devices.

The Frame Pending field shall be set to zero and ignored upon reception. The AR field shall be set to one. The Frame Version field shall be set as specified in 5.2.3.

Octets: variable	1	variable (depends on LECIM/MBAN)	1	1
MHR fields	Command Frame Identifier	Standard-dependent information	Channel Number	Channel Page

Figure 59dda—Channel switching notification command format

For an MBAN device, the Destination PAN Identifier field shall contain the broadcast PAN identifier. The Destination Address field shall contain the extended address of the destination device. The Source PAN Identifier field shall contain the value of *macPANId*, and the Source Address field shall contain the value of *macExtendedAddress*.

For a LECIM device, neither the Destination PAN Identifier field nor the Source PAN Identifier field shall be present. The Destination Address field shall contain the short address of the destination device, and the Source Address field shall contain the value of *macShortAddress*.

5.3.14.2 Standard-dependent information

5.3.14.2.1 MBAN information

The MBAN information is formatted as illustrated in Figure 59ddb.

Octets: 2	2
New PAN ID	Remaining Time

Figure 59ddb—MBAN information format

The New PAN ID field shall contain the PAN ID of the PAN coordinator operating in the channel specified by the Channel Number and Channel Page fields. The receiving device is requested to associate with the PAN coordinator for the following communication after switching channels.

The Remaining Time field contains the time remaining, in minutes, during which the device shall remain on the channel specified by the Channel Number and Channel Page fields.

5.3.14.2.2 LECIM information

The LECIM information is formatted as illustrated in Figure 59ddc.

Bits: 0/10
Transaction ID

Figure 59ddc—LECIM information format

The Transaction ID field shall contain a value that is locally unique in the PAN and identifies the fragment sequence transaction. The receiving device uses the transaction ID to decide whether the CSN command is meant for its fragments sequence. If the channel switch notification command is transmitted in between two

MPDU fragment sequences, the field shall contain the transaction ID of the previous fragment sequence transaction.

The specific method for generating the transaction ID is implementation dependent and should assure that the current value is different from the preceding value. In certain cases, such as the case when the LECIM DSSS PHY is used, the transaction ID value may be set to zero, as described in 5.4.1.1.

5.3.14.3 Channel Number field

The Channel Number field shall contain the channel number that the initiating device intends to use for the following communication. The receiving device is requested to switch to this channel number.

5.3.14.4 Channel Page field

The Channel Page field shall contain the channel page that the initiating device intends to use for the following communication. The receiving device is requested to switch to one of the channels in this channel page.

5.3.15 RSLN commands

An FFD device in an RSLN-enabled PAN shall be capable of transmitting and receiving all command frame types defined in 5.3.15.1 and 5.3.15.2.

5.3.15.1 RSLN-Association request command

The RSLN-Association request command allows a device to request association with an RSLN-enabled PAN as a repeater through the PAN coordinator or an inward coordinator.

The RSLN-Association request command shall be formatted as illustrated in Figure 59ddd.

Octets: variable	1	1
MHR fields (5.2.2.4.1)	Command Frame Identifier (Table 5)	Capability Information (5.3.1.2)

Figure 59ddd—RSLN-Association request command format

5.3.15.2 RSLN-Association response command

The RSLN-Association response command allows the PAN coordinator or an inward coordinator to communicate the results of an association attempt back to the device requesting association.

The RSLN-Association response command shall be formatted as illustrated in Figure 59dde.

Octets: variable	1	2	1	variable
MHR fields (5.2.2.4.1)	Command Frame Identifier (Table 5)	Short Address (5.3.2.2)	Association Status (5.3.2.3)	Beacon Bitmap (5.2.4.24.3)

Figure 59dde—RSLN-Association response command format

5.3.15.3 RSLN-Management request command

The RSLN-Management request command request is used by a device or the PAN coordinator to request the information on the clock time, the device configuration, and the relaying path configuration, or to control the transmission power of a device.

The RSLN-Management request command shall be formatted as illustrated in Figure 59ddf.

Octets: variable	1	1
MHR fields (5.2.2.4.1)	Command Frame Identifier (Table 5)	Management Type

Figure 59ddf—RSLN-Management request command format

The Management Type field shall be set one of the values listed in Table 7c.

Table 7c—Values of the Management Type field

Management Type value	Description
0x00	Hello
0x01	Time
0x02	Device configuration
0x03	Relaying path configuration
0x04	Link power configuration
0x05	Link power control
0x06–0xff	Reserved

5.3.15.4 RSLN-Link-Management response command

The RSLN-Management response command allows the PAN coordinator or a device to announce the result of a request to inform the clock time, the device configuration, and the relaying path configuration, or a request to control the transmission power of a device.

The RSLN-Management response command shall be formatted as illustrated in Figure 59ddg.

Octets: variable	1	1	1	0/6	0/variable	0/variable	0/variable
MHR fields (5.2.2.4.1)	Command Frame Identifier (Table 5)	Management Type (5.3.15.3)	Management Status	Time Synchronization Specification (5.2.4.24.2)	Device Descriptor	Relaying Path Descriptor	Power Management Descriptor

Figure 59ddg—RSLN-Management response command format

5.3.15.4.1 Management Status field

The Management Status field shall be set as defined in Table 7d.

Table 7d—Values of the Management Status field

Management Status value	Description
0x00	Management request successful
0x01	Management request denied
0x02	Management request not reached
0x03–0x7f	Reserved
0x80–0xff	Reserved for MAC primitive enumeration values

5.3.15.4.2 Device Descriptor field

The Device Descriptor field shall be formatted as illustrated in Figure 59ddh.

Octets: 1	variable
Device Descriptor Count	Device List

Figure 59ddh—RSLN Device Descriptor field format

The Device Descriptor Count field specifies the number of the Device Descriptors in the Device List field.

The Device Descriptor shall be formatted as illustrated in Figure 59ddi.

Octets: 2	2	2	2
Relaying Specification (5.2.4.25)	Primary Bidirectional Device Slot Index (5.2.4.24.4)	Inward Repeater Short Address	Inward Repeater Link Status

Figure 59ddi—RSLN Device Descriptor field format

The Slotted-superframe Index of the Relaying Specification field contains the index of the slotted-superframe designated as the reference of synchronous relaying (i.e., *macRelayingSyncReference*).

The Inward Repeater Short Address field contains the short address of the repeater connected to the device in the direction of the PAN coordinator.

The Inward Repeater Link Status field shall be formatted as illustrated in Figure 59ddj.

1
2
3
4
5
6
7
8
9
10
11
12
13
14
15
16
17
18
19
20
21
22
23
24
25
26
27
28
29
30
31
32
33
34
35
36
37
38
39
40
41
42
43
44
45
46
47
48
49
50
51
52
53
54

Octets: 1	1
Channel	avgLQI

Figure 59ddj—Inward Repeater Link Status field format

The Channel field specifies the channel index reported by the device. The avgLQI field contains the average received LQI of the channel specified in the Channel field within *macLinkStatusStatisticPeriod* symbols, as described in Table 52h.

5.3.15.4.3 Relaying Path Descriptor field

The Relaying Path Descriptor field shall be formatted as illustrated in Figure 59ddk.

Octets: 1	variable
Repeater Descriptor Count	Repeater List

Figure 59ddk—RSLN Relaying Path Descriptor field format

The Repeater Descriptor Count field specifies the number of the Repeater Descriptors in the Repeater List field.

The Repeater Descriptor field shall be formatted as illustrated in Figure 59ddl.

Octets: 2	2
Repeater Short Address	Relaying Specification (5.2.4.25)

Figure 59ddl—Repeater Descriptor field format

The Slotted-superframe Index of the Relaying Specification field contains the index of the slotted-superframe designated as the reference of synchronous relaying (i.e., *macRelayingSyncReference*).

5.3.15.4.4 Power Management Descriptor field

The Power Management Descriptor field shall be formatted as illustrated in Figure 59ddm.

Octets: 1	1	variable
PHY TX Power (Table 71)	RX Link Status Descriptor Count	RX Link Status List

Figure 59ddm—RSLN Power Descriptor format

The PHY TX Power field specifies the transmit power of the device in dBm.

The RX Link Status Descriptor Count field specifies the number of RX Link Status Descriptors in the RX Link Status List field.

The RX Link Status Descriptor field shall be formatted as illustrated in Figure 59ddn.

Octets: 2	1	variable
Repeater Short Address	Repeater Link Count	Repeater Link Status List (5.3.15.4.2)

Figure 59ddn—RSLN RX Link Descriptor format

The Repeater Short Address field contains the short address of the neighboring repeater to the inward or outward device.

The Repeater Link Count field specifies the number of channels activated in the neighboring repeater.

5.4 MPDU fragmentation

When MPDU fragmentation is enabled, the completed MPDU is processed into a sequence of fragment cells. The context of the fragment sequence is established between the initiating device and the recipient device prior to transmission. Each fragment containing an CVS, fragment descriptor, and fragment content is packaged into a PPDU. Certain MHR fields may be transformed or elided in order to reduce the size of the fragment.

5.4.1 MPDU PHY adaptation, fragmentation and reassembly

5.4.1.1 Fragment sequence context

The fragment sequence context is established by transmitting a fragment context frame containing an MPDU Fragment Sequence Context Description IE, as described in 5.2.4.23. A fragment context frame is any directed MAC command or data frame which contains an MPDU Fragment Sequence Context Description IE, and a frame shall contain exactly one such IE.

The fragment context frame initiates the transaction and establishes the initial state for the MPDU sequence transaction. The fragment context frame shall be transmitted with the Acknowledge Request field set to one. If an acknowledgment is not received, the fragment context frame shall be retransmitted up to *macMaxFrameRetries* times as needed. If an acknowledgment is received, the initiating device transmits the fragments until either the transaction is complete or the transmission is aborted.

Upon reception of the fragment context frame, the information contained within the frame is associated with the value of the Transaction ID field in the MPDU Fragment Context Description IE, and that ID value is used to identify subsequent fragments in the sequence. If a fragment cell is not received within *aMPDUFragTimeout*, the fragmentation transaction shall be terminated.

When the LECIM DSSS PHY is in use, a unique spreading code or codes may be used between the coordinator and end point, in which case the context of the transaction is established uniquely by code separation and the Transaction ID field may be elided from each fragment cell. The Transaction ID field value of zero shall be used for this purpose. A Transaction ID field with a value of zero indicates that

fragment cells do not contain a transaction ID and shall be used only with PHYs that support other means to establish point-to-point unique context.

5.4.1.2 Fragment cell formats

The fragment cell is depicted in Figure 59ddo.

Bits: 0/10	5	1	variable	16/32
Transaction ID	Fragment Number	Extension	Fragment Data	Fragment Validation
Fragment cell header (FCH)			Payload	Fragment cell footer (FCF)

Figure 59ddo—Fragment cell general form

The Transaction ID (TID) field, when present, shall contain the value assigned to the transaction context, as indicated in the fragment context frame. When context is unambiguously known via other means provided by the PHY in use, the TID field may be suppressed. Upon reception, if the TID field contains a value other than the TID of a currently active transaction, the cell is ignored (i.e., not acknowledged and not counted to reset the transaction timeout).

The Fragment Number field identifies which fragment in the sequence the data part contains. A Fragment Number field value of zero shall be used to indicate a terminated transaction. Upon reception of a cell with the TID field equal to zero, the receiving devices will invalidate the transaction context; if subsequent cells are received with the same TID field value prior to a new fragment context frame, they may be ignored. Upon MPDU reassembly, the fragmented data shall be placed in order according to fragment number.

The Extension field is used to indicate an extended cell descriptor and is reserved for future versions of this standard. The Extension field shall be set to zero.

The Fragment Data field contains the part of the fragmented MPDU indicated by the Fragment Number field. The size of the data field depends on the configuration of the PHY in use. For the LECIM DSSS PHY, the data field may be 15 to 23 octets in length. For the LECIM FSK PHY, the data field may be from 19 to 87 octets in length.

The Fragment Validation field is used to validate the received fragment cell. The length of the field shall be determined by *macFragmentCVSType*, and it shall be calculated according to 5.2.1.9.

5.4.1.3 Fragmentation

The MPDU is prepared for fragment transmission according to the following steps:

- a) Determine the fragment context using the MHR fields (i.e., source addressing, destination addressing, and data request parameters).
- b) Construct the fragment context frame, as described in 5.4.1.1.
- c) Elide/compress the MHR fields that are effectively transmitted in the fragment context frame.
- d) Divide the remaining MPDU into fragment cells of the size supported by the current PHY configuration. All fragments, with the exception of the final fragment, contain the maximum number of data octets. For PHY configurations that use a fixed PPDU size (i.e., no PPDU length field transmitted), the final fragment data is padded with *macMPDUFragPadValue*, which may be a PHY-dependent value. The Fragment Validation field for the final fragment is calculated including the pad octets.
- e) Transmit the fragment context frame (retransmit as necessary).

- f) Upon acknowledgment of the fragment context frame, transmit the fragment cells. After I-ACK interval fragment cells have been transmitted, wait for the I-ACK. Retransmit the cell preceding the I-ACK if the acknowledge is not received with the I-ACK timeout.
- g) Upon transmission of the final fragment cell and/or reception of the final I-ACK as appropriate, the MPDU level acknowledgment is performed as described in 5.1.6.

Fragments are transmitted in the order shown in Figure 59ddp. The I-ACK is described in 5.4.2.1. If the I-ACK retransmission count is exceeded during the transaction, the transaction is terminated and a fragment cell with the Fragment Number field set to zero is transmitted to signal the receiving device.

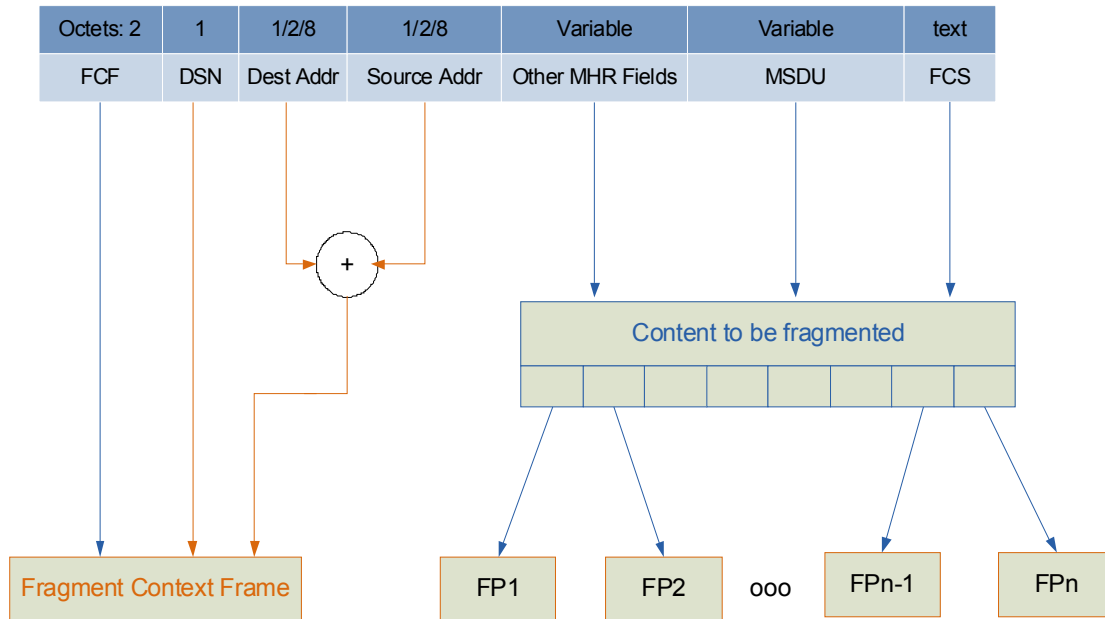


Figure 59ddp—Fragmentation process overview

5.4.1.4 Reassembly

Upon reception of the fragment context frame, the transaction state is initialized for a new MPDU fragment sequence transaction, and the fragment context frame is acknowledged. Each received fragment cell is placed into the reassembled MPDU based on the value of the corresponding Fragment Number field. I-ACKs are generated according to 5.4.2.1. When the final fragment is received and validated, MPDU validation proceeds according to 5.1.6.

5.4.2 Fragment acknowledgment and retransmission

Two levels of fragment acknowledgment are provided: acknowledgment of fragments during the transfer process (i.e., incremental acknowledgment), which provide “progress reports”; and acknowledgment of the reassembled MPDU. In each acknowledgment level, the status of individual fragments is indicated and the initiating device can retransmit only those fragments that were not received and validated.

5.4.2.1 Incremental fragment acknowledgment (I-ACK)

The I-ACK reports status indicating which fragments have been successfully received up to that point, and it is generated incrementally during the fragment sequence transfer.

5.4.2.1.1 I-ACK format

The I-ACK format is depicted in Figure 59ddq.

Bits: 0/10	5	1	variable	16/32
Transaction ID	Fragment Number	Extension	Fragment Status	Fragment Validation
Fragment cell header (FCH)			Payload	Fragment cell footer (FCF)

Figure 59ddq—I-ACK format

The Transaction ID (TID) field shall contain the same value as the TID in the received fragments being acknowledged. If the TID in the received fragments is suppressed, then the TID field in the I-ACK shall also be suppressed.

The Fragment Number field is set to zero to identify this cell as an I-ACK.

The Extension field is used to indicate an extended cell descriptor and is reserved for future versions of this standard. The Extension field shall be set to zero.

The Fragment Status field is shown in Figure 59dv.

Bits: 4	1/2/3/4	16/32
IACK Content	Fragment Status Flags (Set 0–Set 3)	Cell Validation

Figure 59ddr—I-ACK Fragment Status field

The IACK Content field is shown in Table 7e. This field indicates which fragment status flags are included. A value of one in a bit position indicates that the corresponding set of eight status flags is present; a value of zero in a bit position indicates that the corresponding set of eight status flags is absent. Setting all bit positions to zero indicates an aborted transaction. Bit b_0 is transmitted first in time.

Table 7e—IACK Content field

Bit position	Description
b_0	Indicates whether fragment status flags 0–7 are present
b_1	Indicates whether fragment status flags 8–15 are present
b_2	Indicates whether fragment status flags 16–23 are present
b_3	Indicates whether fragment status flags 24–31 are present

The Fragment Status Flags field indicates the status of received fragments up to the current point in the transaction. The status flags are grouped into four sets of eight 1-bit flags. Flags for fragment numbers 0–7

are contained in Set 0, flags for fragment numbers 8–15 are contained in Set 1, flags for fragment numbers 16–23 are contained in Set 2, and flags for fragment numbers 23–31 are contained in Set 3. Within each set, the individual flags are ordered such that s_0 , the first bit transmitted/received in time, corresponds to the lowest numbered fragment number in the set. When more than one set is included in the I-ACK, the lowest numbered set is transmitted first in time, so that the correspond fragment numbers go from low to high as transmitted.

The Cell Validation field is used to validate the received I-ACK. The length of the field shall be determined by *macFragmentCVSType*, and it shall be calculated according to 5.2.1.9.

The Fragment Validation field is used to validate the received I-ACK cell. The length of the field shall be determined by *macFragmentCVSType*, and it shall be calculated according to 5.2.1.9.

5.4.2.1.2 I-ACK overview

The interval of the I-ACK is determined by the *IACKinterval* parameter of the *MCPS-DATA.request* primitive, which is transmitted to the receiving device with the fragment sequence context, as defined in 5.4.1.1. Upon completion of transmission of each *IACKinterval* fragment cell, the initiating device will suspend transmission and wait *macIACKtimeout* for the expected I-ACK. In order to prevent other devices from accessing the medium, the receiving device may send an acknowledgment sequence with the Frame Pending field set to one to the initiating device immediately upon reception of the last of the *IACKinterval* fragments until the transmission of the I-ACK. Upon reception of the I-ACK, fragments indicated as not received correctly shall be retransmitted. The number of retransmissions is limited by *macMaxFrameRetries*. If an I-ACK has not been received following *macIACKtimeout*, the initiator will retransmit the last fragment sent and wait for the I-ACK again, repeating this process up to *macMaxFrameRetries* times.

Upon receipt of the I-ACK, the initiator of the fragment sequence will examine the Fragment Status field and shall retransmit the fragments that are not indicated as successfully received (i.e., retry fragments) following the I-ACK. The fragments to be retransmitted shall be transmitted in the order of initial transmission, followed by the next k fragments in sequence, where $k = (\text{IACKInterval} - \text{number of retry fragments})$.

5.4.2.2 Aggregated MPDU transfer acknowledgment

If the received MPDU has its Acknowledgment Request field set to one in the MHR, the generated acknowledgment (using the enhanced acknowledgment) will include a Fragment Status IE, constructed and transmitted as described here.

If *macFragmentSequExtAck* is FALSE, an MPDU acknowledgment is generated once the reassembly of the MPDU is completed and address filtering, if enabled, is completed. The Fragment Status IE is populated with the status of each fragment in the sequence and the final FCS.

If *macFragmentSequExtAck* is TRUE, the MPDU higher layer may become involved in the acknowledgment processing. The recipient device will, upon receiving the final fragment, generate an acknowledgment to the originator with the Frame Pending field set and also generate an *MCPS-DATA* indication containing the reassembled MPDU with the fragment sequence status information, as described in 6.3.3. Upon completion of higher layer processing, which is out of scope of this standard, the higher layer may use the *MCPS-EXT-ACK.request*, which initiates generation of the MPDU acknowledgment frame containing the status and feedback information provided with the service parameters.

5.4.2.3 Channel switching for fragment sequence exchange

Given the potentially long duration of the MPDU transaction in time, there is a possibility that channel conditions may change significantly. The higher layer may decide that the channel is becoming unusable and desire to change to another channel for subsequent transactions. The channel switch notification process provides this capability.

The channel switch notification (CSN) command is a directed command frame that facilitates changing channel or PHY parameters between the sending and receiving nodes. The CSN command is sent by the recipient of a fragment context frame to the originator of the fragment context frame. To initiate a channel switch, the new channel information will be included in the CSN command. To change PHY parameters, the information on the new PHY parameters will be included in the CSN command.

In order to prevent other devices from accessing the medium, the receiving device may send an acknowledgment sequence with the Frame Pending field set to one to the initiating device immediately upon reception of the last of the IACKinterval fragments until the transmission of the CSN command. The switch or change is initiated by the higher layer via the MLME-CHANNEL-SWITCH service. The AR field of CSN command is set to one. The originator shall acknowledge reception of the CSN command, and the originator and recipient shall switch to the new channel or use the new PHY parameters indicated in the CSN command to communicate the I-ACK.

The CSN command will affect only the device sending it and the device receiving it. The CSN command shall not be transmitted with the broadcast PANID and/or broadcast destination address. The higher layer network management entity controls which channel and/or PHY configurations are used to communicate with which neighboring devices; the process by which this is done is outside the scope of this standard.

In the event that a CSN command is not acknowledged, the channel switch shall not be performed. In the event that communication is not re-established after either a channel switch or aborted channel switch, the device shall revert to the prior channel and PHY configuration after the *macCSNeffectTimeout*. The originator should perform handshake with the recipient prior to transmission by sending the first fragment to the recipient and receiving acknowledgment. This confirmation process is outside the scope of this standard.

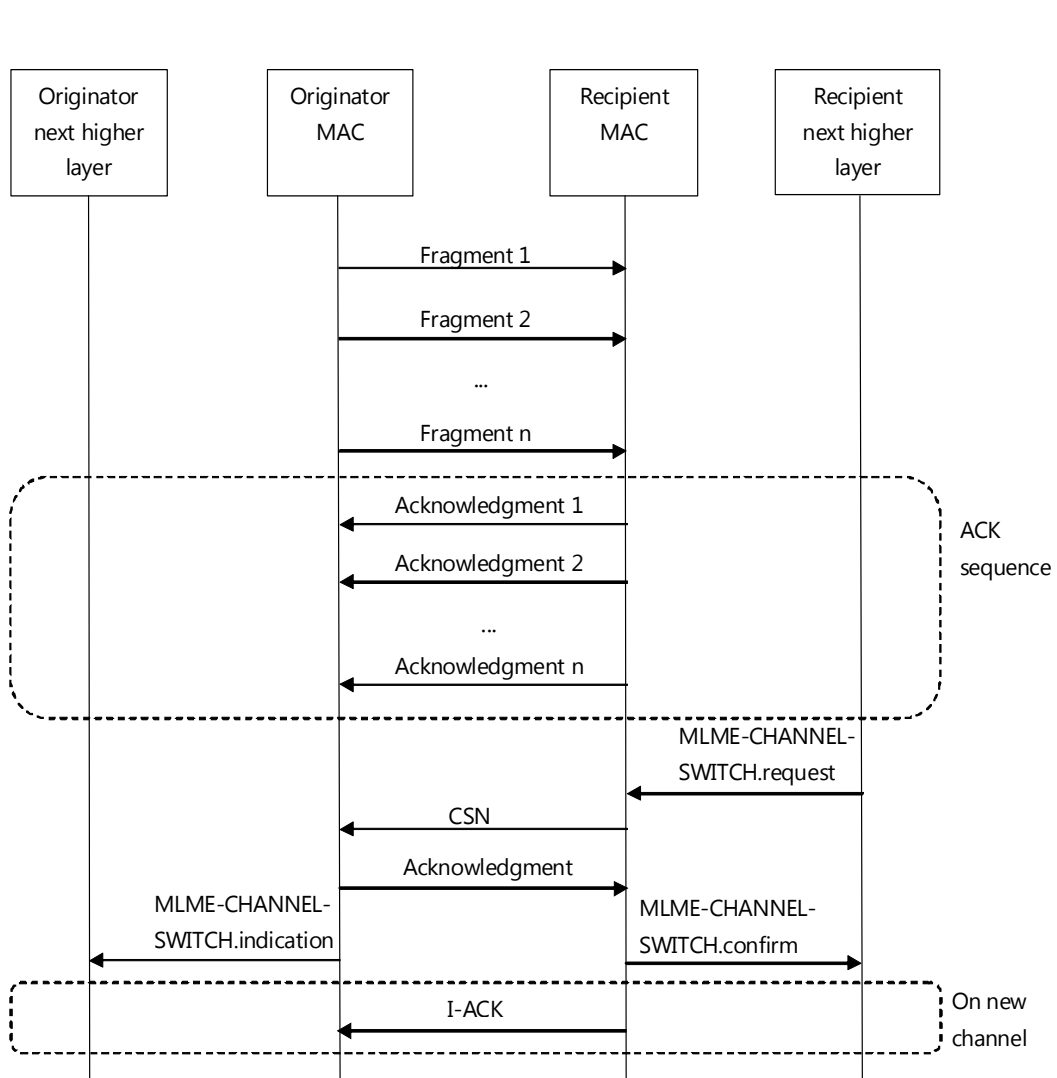


Figure 59dds—Channel switch message sequence chart

1
2
3
4
5
6
7
8
9
10
11
12
13
14
15
16
17
18
19
20
21
22
23
24
25
26
27
28
29
30
31
32
33
34
35
36
37
38
39
40
41
42
43
44
45
46
47
48
49
50
51
52
53
54

1
2
3
4
5
6
7
8
9
10
11
12
13
14
15
16
17
18
19
20
21
22
23
24
25
26
27
28
29
30
31
32
33
34
35
36
37
38
39
40
41
42
43
44
45
46
47
48
49
50
51
52
53
54

6. MAC services

6.2 MAC management service

Insert the following new row at the end of Table 8:

Table 8—Summary of the primitives accessed through the MLME-SAP

Name	Request	Indication	Response	Confirm
MLME-CHANNEL-SWITCH	6.2.22.1	6.2.22.3		6.2.22.2
MLME-RSLN-MANAGEMENT	6.2.23.1	6.2.23.2	6.2.23.3	6.2.23.4

6.2.2 Association primitives

6.2.2.1 MLME-ASSOCIATE.request

Insert the following new parameters at the end of the list in 6.2.2.1 (before the closing parenthesis):

RelayingSync,
AssociationType,
Direction,
AllocationOrder,
HoppingSequenceRequest

Insert the following new rows at the end of Table 9:

Table 9—MLME-ASSOCIATE.request parameters

Name	Type	Valid range	Description
RelayingSync	Relaying tier identifier and index of slotted-superframe	As specified by 5.2.4.24.3	Specifies the preferred slotted-superframe in which to start the cyclic-superframe of the device requesting association.
AssociationType	Integer	0x00–0x01	As defined in 5.3.11.2.2.
Direction	Integer	0x00–0x01	The direction of the DSME-GTS. A value of 0x00 indicates that the DSME-GTS is allocated for TX (data transmission). A value of 0x01 indicates that the DSME-GTS is allocated for RX (data reception).
AllocationOrder	Integer	0x00–0x08	As defined in 5.3.11.3.6.
HoppingSequence Request	Integer	0x00–0x01	Indicates whether a hopping sequence is requested. A value of 0x00 indicates that a hopping sequence is not requested. A value of 0x01 indicates that a hopping sequence is requested.

1
2
3
4
5
6
7
8
9
10
11
12
13
14
15
16
17
18
19
20
21
22
23
24
25
26
27
28
29
30
31
32
33
34
35
36
37
38
39
40
41
42
43
44
45
46
47
48
49
50
51
52
53
54

6.2.2.2 MLME-ASSOCIATE.indication

Insert the following new parameters at the end of the list in 6.2.2.2 (before the closing parenthesis):

RelayingSync,
AssociationType,
Direction,
AllocationOrder,
HoppingSequenceRequest

Insert the following new rows at the end of Table 10:

Table 10—MLME-ASSOCIATE.indication parameters

Name	Type	Valid range	Description
RelayingSync	Relaying tier identifier and index of slotted-superframe	As specified by 5.2.4.24.3	Specifies the preferred slotted-superframe in which to start the cyclic-superframe of the device requesting association.
AssociationType	Integer	0x00–0x01	As defined in 5.3.11.2.2.
Direction	Integer	0x00–0x01	The direction of the DSME-GTS. A value of 0x00 indicates that the DSME-GTS is allocated for TX (data transmission). A value of 0x01 indicates that the DSME-GTS is allocated for RX (data reception).
AllocationOrder	Integer	0x00–0x08	As defined in 5.3.11.3.6.
HoppingSequence Request	Integer	0x00–0x01	Indicates whether a hopping sequence is requested. A value of 0x00 indicates that a hopping sequence is not requested. A value of 0x01 indicates that a hopping sequence is requested.

6.2.2.3 MLME-ASSOCIATE.response

Insert the following new parameters at the end of the list in 6.2.2.3 (before the closing parenthesis):

RelayingSync,
BeaconBitmap,
AssociationType,
BIndex,
SuperframeID,
SlotID,
ChannelIndex,
HoppingSequenceLength,
HoppingSequence

Insert the following new rows at the end of Table 11:

Table 11—MLME-ASSOCIATE.response parameters

Name	Type	Valid range	Description
RelayingSync	Relaying tier identifier and index of slotted-superframe	As specified by 5.2.4.24.3	Specifies the assigned slotted-superframe in which to start the cyclic-superframe of the device requesting association.
BeaconBitmap	Beacon bitmap	As specified by 5.2.4.24.3	Indicates the slotted-superframes reserved for transmitting a beacon from the neighboring devices around the inward coordinator.
AssociationType	Integer	0x00–0x01	As defined in 5.3.11.2.2.
BIIndex	Integer	0x00–0xff	As defined in 5.3.11.3.7.
SuperframeID	Integer	0x0000–0xffff	As defined in 5.3.11.3.8.
SlotID	Integer	0x00–0x0e	As defined in 5.3.11.3.9.
ChannelIndex	Integer	0x00–0x1f	As defined in 5.3.11.3.10.
HoppingSequenceLength	Integer	0x00–0xff	As defined in 5.3.11.3.4.
HoppingSequence	List of integers	0x0000–0x01ff for each channel	As defined in 5.3.11.3.5.

6.2.2.4 MLME-ASSOCIATE.confirm

Insert the following new parameters at the end of the list in 6.2.2.4 (before the closing parenthesis):

RelayingSync,
BeaconBitmap,
AssociationType,
BIIndex,
SuperframeID,
SlotID,
ChannelIndex,
Hopping SequenceLength,
HoppingSequence

Change Table 12 (the entire table is not shown) as indicated:

6.2.12 Primitives for updating the superframe configuration

6.2.12.1 MLME-START.request

Insert the following new parameter at the end of the list in 6.2.12.1 (before the closing parenthesis):

RSLNSpecification

Insert the following new row at the end of Table 34:

Insert the following new subclauses (6.2.22–6.2.23.4) after 6.2.21.3.4:

Table 12—MLME-ASSOCIATE.confirm parameters

Name	Type	Valid range	Description
status	Enumeration	The value of the Status field of the association response command, as defined in 5.3.2.3, SUCCESS, CHANNEL_ACCESS_FAILURE, NO_ACK, NO_DATA, COUNTER_ERROR, FRAME_TOO_LONG, IMPROPER_KEY_TYPE, IMPROPER_SECURITY_LEVEL, SECURITY_ERROR, UNAVAILABLE_KEY, UNSUPPORTED_LEGACY, UNSUPPORTED_SECURITY, INVALID_PARAMETER, UNAVAILABLE_RESOURCE	The status of the association attempt.
<u>RelayingSync</u>	<u>Relaying tier identifier and index of slotted-superframe</u>	<u>As specified by 5.2.4.24.3</u>	<u>Specifies the assigned slotted-superframe in which to start the cyclic-superframe of the device requesting association.</u>
<u>BeaconBitmap</u>	<u>Beacon bitmap</u>	<u>As specified by 5.2.4.24.3</u>	<u>Indicates the slotted-superframes reserved for transmitting a beacon from the neighboring devices around the inward coordinator.</u>
<u>AssociationType</u>	<u>Integer</u>	<u>0x00–0x01</u>	<u>As defined in 5.3.11.2.2.</u>
<u>BIIndex</u>	<u>Integer</u>	<u>0x00–0xff</u>	<u>As defined in 5.3.11.3.7.</u>
<u>SuperframeID</u>	<u>Integer</u>	<u>0x0000–0xffff</u>	<u>As defined in 5.3.11.3.8.</u>
<u>SlotID</u>	<u>Integer</u>	<u>0x00–0x0e</u>	<u>As defined in 5.3.11.3.9.</u>
<u>ChannelIndex</u>	<u>Integer</u>	<u>0x00–0x1f</u>	<u>As defined in 5.3.11.3.10.</u>
<u>HoppingSequence Length</u>	<u>Integer</u>	<u>0x00–0xff</u>	<u>As defined in 5.3.11.3.4.</u>
<u>HoppingSequence</u>	<u>List of integers</u>	<u>0x0000–0x01ff for each channel</u>	<u>As defined in 5.3.11.3.5.</u>

Table 34—MLME-START.request parameters

Name	Type	Valid range	Description
RSLNSpecification	Cyclic-superframe Specification	As specified by 5.2.4.24.1	Specifies the cyclic-superframe in the RSLN-enabled PAN, as defined in 5.2.4.24.1.

6.2.22 Channel switch notification primitives

These primitives are used by a LECIM or MBAN device to coordinate an operating channel switch between itself and a second device. The primitives are not valid for other types of devices.

6.2.22.1 MLME-CHANNEL-SWITCH.request

The MLME-CHANNEL-SWITCH.request primitive is used by a LECIM or MBAN device to instruct a second device to switch operating channels at a specific time.

<Editor's note: Many times in 6.2.22 the text says to switch channels "at a specific time." The primitive does not specify the switch time. This language seems more relevant to the command frame.>

The semantics of this primitive are:

```
MLME-CHANNEL-SWITCH.request (
    DeviceAddrMode,
    DeviceAddr,
    ChannelNumber,
    ChannelPage,
    TxIndirect,
    TransactionID,
    SecurityLevel,
    KeyIdMode,
    KeySource,
    KeyIndex
)
```

The primitive parameters are defined in Table 44aa.

On receipt of the MLME-CHANNEL-SWITCH.request primitive, the MLME of the device generates a channel switch notification command.

For an MBAN device, if this primitive was received by the MLME of a coordinator with the TxIndirect parameter set to TRUE, the channel switch notification command will be sent using indirect transmission, as described in 5.1.5. If this primitive was received by the MLME of a coordinator with the TxIndirect parameter set to FALSE, the MLME sends a channel switch notification command to the device in the CAP for a beacon-enabled PAN.

6.2.22.2 MLME-CHANNEL-SWITCH.confirm

The MLME-CHANNEL-SWITCH.confirm primitive is used to inform the next higher layer of the initiating LECIM or MBAN device whether the channel switching notification command was transmitted successfully.

The semantics of this primitive are:

```
MLME-CHANNEL-SWITCH.confirm (
    status,
    DeviceAddrMode,
    DeviceAddress
)
```


Table 44aa—MLME-CHANNEL-SWITCH.request parameters

Name	Type	Valid range	Description
DeviceAddrMode	Enumeration	SHORT_ADDRESS, EXTENDED_ADDRESS	The addressing mode of the device being instructed to change its operating channel at a specific time. For a LECIM device, the default value is SHORT_ADDRESS.
DeviceAddr	Device address	As specified by the DeviceAddrMode parameter	The address of the device being instructed to change its operating channel at a specific time.
ChannelNumber	Integer	Any valid channel number	The new channel number.
ChannelPage	Integer	Any valid channel page	The new channel page.
TxIndirect	Boolean	TRUE, FALSE	The channel switch notification command is transmitted indirectly if the value is TRUE or directly if the value is FALSE. For a LECIM device, the default value is FALSE.
TransactionID	Integer	TBD	The identification of the current fragment sequence transaction, as described in <xref>.
SecurityLevel	Integer	As defined in Table 46	As defined in Table 46
KeyIdMode	Integer	As defined in Table 46	As defined in Table 46
KeySource	Set of octets	As defined in Table 46	As defined in Table 46
KeyIndex	Integer	As defined in Table 46	As defined in Table 46

The primitive parameters are defined in Table 44bb.

Table 44bb—MLME-CHANNEL-SWITCH.confirm parameters

Name	Type	Valid range	Description
status	Enumeration	SUCCESS, TRANSACTION_OVERFLOW, TRANSACTION_EXPIRED, NO_ACK, CHANNEL_ACCESS_FAILURE, COUNTER_ERROR, FRAME_TOO_LONG, UNAVAILABLE_KEY, UNSUPPORTED_SECURITY, INVALID_PARAMETER	The status of the attempt to transmit the channel switching notification command.
DeviceAddrMode	Enumeration	SHORT_ADDRESS, EXTENDED_ADDRESS	The addressing mode of the device which was instructed to change its operating channel at a specific time. For a LECIM device, the default value is SHORT_ADDRESS.
DeviceAddress	Device address	As specified by the DeviceAddrMode parameter	The address of the device which was instructed to change its operating channel at a specific time.

This primitive returns a status of either SUCCESS, indicating that the channel switch notification was successfully transmitted, or the appropriate status parameter value indicating the reason for failure.

6.2.22.3 MLME-CHANNEL-SWITCH.indication

The MLME-CHANNEL-SWITCH.indication primitive is used to indicate the reception of a channel switching notification command by a LECIM or MBAN device.

The semantics of this primitive are:

```
MLME-CHANNEL-SWITCH.indication(  
    DeviceAddrMode,  
    DeviceAddress,  
    ChannelNumber,  
    ChannelPage,  
    TransactionID,  
    SecurityLevel,  
    KeyIdMode,  
    KeySource,  
    KeyIndex  
)
```

The primitive parameters are defined in Table 44cc.

6.2.23 Primitives for RSLN

6.2.23.1 MLME-RSLN-MANAGEMENT.request

This primitive allows an RSLN-enabled device to request the device status, clock time, slot-link information, relaying path information, and control of the transmission power of a device.

The semantics of this primitive are:

```
MLME-RSLN-MANAGEMENT.request    (  
    ManagementType,  
    DstAddrMode,  
    DstAddr,  
    TxGrade  
)
```

The primitive parameters are defined in Table 44dd.

The MLME-RSLN-MANAGEMENT.request primitive is generated by the higher layer of a device and issued to its MLME to request the device status, clock time, slot-link information, relaying path information, and control of the transmission power of a device.

On receipt of the MLME-RSLN-MANAGEMENT.request primitive, the MLME of the device shall send an RSLN Management Request command frame, as described in 5.3.15.3, to the DstAddr. The ManagementType shall be contained in the corresponding field of the command frame. The RSLN Management Request command frame is relayed to the DstAddr with the grade of link access specified in TxGrade.

Table 44cc—MLME-CHANNEL-SWITCH.indication parameters

Name	Type	Valid range	Description
DeviceAddrMode	Enumeration	SHORT_ADDRESS, EXTENDED_ADDRESS	The addressing mode of the device that transmitted the channel switch notification command. For a LECIM device, the default value is SHORT_ADDRESS.
DeviceAddress	Device address	As specified by the DeviceAddrMode parameter	The address of the device that transmitted the channel switch notification command.
ChannelNumber	Integer	Any valid channel number	The new channel number.
ChannelPage	Integer	Any valid channel page	The new channel page. If the Channel Page field is not present in the channel switch notification command, the value of the ChannelPage parameter is set to be same as the current channel page.
TransactionID	Integer	TBD	The identification of the current fragment sequence transaction, as described in <xref>.
SecurityLevel	Integer	As defined in Table 46	As defined in Table 46
KeyIdMode	Integer	As defined in Table 46	As defined in Table 46
KeySource	Set of octets	As defined in Table 46	As defined in Table 46
KeyIndex	Integer	As defined in Table 46	As defined in Table 46

Table 44dd—MLME-RSLN-MANAGEMENT.request parameters

Name	Type	Valid range	Description
ManagementType	Enumeration	HELLO, TIME, DEVICE, PATH, POWER_CONFIG, POWER_CNTR	The type of management for this primitive, as described in 5.3.15.3.
DstAddrMode	Enumeration	NO_ADDRESS, SHORT_ADDRESS, EXTENDED_ADDRESS	The destination addressing mode for this primitive.
DstAddr	Device address	As specified by the DstAddrMode parameter	The individual device address of the device for which the frame was intended.
TxGrade	Enumeration	GRADE_0, GRADE_1, GRADE_2	The grade of link access to be used, as described in 5.1.2.7.4.

6.2.23.2 MLME-RSLN-MANAGEMENT.indication

This primitive reports the reception of an MLME-RSLN-MANAGEMENT.request command.

The semantics of this primitive are:

```

MLME-RSLN-MANAGEMENT.indication(
    ManagementType,
    SrcAddrMode,
    SrcAddr,
    TxGrade
)
    
```

The primitive parameters are defined in Table 44ee.

Table 44ee—MLME-RSLN-MANAGEMENT.indication parameters

Name	Type	Valid range	Description
ManagementType	Enumeration	HELLO, TIME, DEVICE, PATH, POWER_CONFIG, POWER_CNTR	The type of management for this primitive, as described in 5.3.15.3.
SrcAddrMode	Enumeration	NO_ADDRESS, SHORT_ADDRESS, EXTENDED_ADDRESS	The source addressing mode for this primitive.
SrcAddr	Device address	As specified by the SrcAddrMode parameter	The individual device address of the device for which the frame was generated.
TxGrade	Enumeration	GRADE_0, GRADE_1, GRADE_2	The grade of link access to be used, as described in 5.1.2.7.4.

This primitive is generated by the MLME of a device and issued to its next higher layer upon the reception of an RSLN Management Request command frame.

On receipt of the MLME-RSLN-MANAGEMENT.indication primitive, the higher layer is notified of the reception of an RSLN Management Request command.

6.2.23.3 MLME-RSLN-MANGEMENT.response

This primitive allows the next higher layer of a device to respond to the MLME-RSLN-MANAGEMENT.indication primitive.

1
2
3
4
5
6
7
8
9
10
11
12
13
14
15
16
17
18
19
20
21
22
23
24
25
26
27
28
29
30
31
32
33
34
35
36
37
38
39
40
41
42
43
44
45
46
47
48
49
50
51
52
53
54

The semantics of this primitive are:

```

MLME-RSLN-MANAGEMENT.response(
    ManagementType,
    DstAddrMode,
    DstAddr,
    TxGrade,
    status,
    TimeSync,
    DeviceDescriptor,
    PathDescriptor,
    PowerMgtDescriptor
)
    
```

The primitive parameters are defined in Table 44ff.

Table 44ff—MLME-RSLN-MANAGEMENT.response parameters

Name	Type	Valid range	Description
ManagementType	Enumeration	HELLO, TIME, DEVICE, PATH, POWER_CONFIG, POWER_CNTR	The type of management for this primitive, as described in 5.3.15.3.
DstAddrMode	Enumeration	NO_ADDRESS, SHORT_ADDRESS, EXTENDED_ADDRESS	The destination addressing mode for this primitive.
DstAddr	Device address	As specified by the DstAddrMode parameter	The individual device address of the device for which the frame was intended.
TxGrade	Enumeration	GRADE_0, GRADE_1, GRADE_2	The grade of link access to be used, as described in 5.1.2.7.4.
status	Enumeration	As defined in 5.3.15.4	The status of the management attempt.
TimeSync	Time Synchronization Specification	As defined in 5.2.4.24.2	The start time of the slot in which the frame is transmitted.
DeviceDescriptor	Device Descriptor	As defined in 5.3.15.4.2	The device configuration.
PathDescriptor	Relaying Path Descriptor	As defined in 5.3.15.4.3	The relaying path configuration.
PowerMgtDescriptor	Power Management Specification	As defined in 5.3.15.4.4	The TX power configuration and RX link status.

On receipt of the MLME-RSLN-MANAGEMENT.response primitive, the MLME of the device shall generate an RSLN Management response command frame, as described in 5.3.15.4. The information contained in the ManagementType, status, TimeSync, DeviceDescriptor, PathDescriptor, and PowerMgtDescriptor parameters shall be contained in the corresponding fields of the command frame.

6.2.23.4 MLME-RSLN-MANAGEMENT.confirm

The MLME-RSLN-MANAGEMENT.confirm primitive reports the result of the RSLN management request.

The semantics of this primitive are:

```
MLME-RSLN-MANAGEMENT.confirm(
    ManagementType,
    SrcAddrMode,
    SrcAddr,
    status,
    TimeSync,
    DeviceDescriptor,
    PathDescriptor,
    PowerMgtDescriptor
)
```

The primitive parameters are defined in Table 44gg.

Table 44gg—MLME-RSLN-MANAGEMENT.confirm parameters

Name	Type	Valid range	Description
ManagementType	Enumeration	HELLO, TIME, DEVICE, PATH, POWER_CONFIG, POWER_CNTR	The type of management for this primitive, as described in 5.3.15.3.
SrcAddrMode	Enumeration	NO_ADDRESS, SHORT_ADDRESS, EXTENDED_ADDRESS	The source addressing mode for this primitive.
SrcAddr	Device address	As specified by the SrcAddrMode parameter	The individual device address of the device for which the frame was generated.
status	Enumeration	As defined in 5.3.15.4	The status of the management attempt.
TimeSync	Time Synchronization Specification	As defined in 5.2.4.24.2	The start time of the slot in which the frame is transmitted.
DeviceDescriptor	Device Descriptor	As defined in 5.3.15.4.2	The device configuration.
PathDescriptor	Relaying Path Descriptor	As defined in 5.3.15.4.3	The relaying path configuration.
PowerMgtDescriptor	Power Management Specification	As defined in 5.3.15.4.4	The TX power configuration and RX link status.

On receipt of an RSLN Management Response command, the MLME of the device shall notify the higher layer with the result of the RSLN management request.

6.3 MAC data service

6.3.1 MCPS-DATA.request

Insert the following new parameters at the end of the list in 6.3.1 (before the closing parenthesis):

IACKspan,
TxGrade

Insert the following new rows at the end of Table 46:

Table 46—MCPS-DATA.request parameters

Name	Type	Valid range	Description
IACKspan	Integer	0x0000–TBD	If the value of the parameter is non-zero, specifies the number of fragments to send prior to waiting for an I-ACK. If the value of the parameter is zero, no I-ACK is requested and only an MPDU level acknowledgment is requested. This parameter is only valid when fragmentation of the MPDU is enabled.
TxGrade	Enumeration	GRADE_0, GRADE_1, GRADE_2	The grade of link access to be used, as described in 5.1.6.7.1.

Insert the following paragraphs at the end of 6.3.1:

When fragmentation of the MPDU is enabled and the IACKspan parameter is set to a non-zero value, the I-ACK feature is enabled, as described in 5.4.2.1.

When the RSLN feature is enabled and the TxGrade parameter is within the valid range, the multiple grades of the link access feature are enabled, as described in 5.1.6.7.1.

6.4 MAC constants and PIB attributes

6.4.1 MAC constants

Change Table 51 (the entire table is not shown) as indicated:

Table 51—MAC sublayer constants

Constant	Description	Value
<i>aMinCAPLength</i>	The minimum number of symbols forming the CAP. This ensures that MAC commands can still be transferred to devices when GTSs are being used. An exception to this minimum shall be allowed for the accommodation of the temporary increase in the beacon frame length needed to perform GTS maintenance, as described in 5.2.2.1.3. <u>See 5.1.1.1 for restrictions when priority access is enabled.</u>	440

6.4.2 MAC PIB attributes

The first paragraph of 6.4.2 is reproduced here to assist the reader in understanding the notation used in Table 52. No changes are made to this paragraph.

The MAC PIB comprises the attributes required to manage the MAC sublayer of a device. The attributes contained in the MAC PIB are presented in Table 52. Attributes marked with a dagger (†) are read-only attributes (i.e., attribute can only be set by the MAC sublayer), which can be read by the next higher layer using the MLME-GET.request primitive. All other attributes can be read or written by the next higher layer using the MLME-GET.request or MLME-SET.request primitives, respectively. Attributes marked with a diamond (◆) are optional for an RFD; attributes marked with an asterisk (*) are optional for both device types (i.e., RFD and FFD).

Change Table 52 (the entire table is not shown) as indicated. The description of macMaxFrameRetries is reproduced here to assist the reader. No change is made to this description.

Table 52—MAC PIB attributes

Attribute	Type	Range	Description	Default
<i>macMaxFrameRetries</i>	Integer	0–7	The maximum number of retries allowed after a transmission failure.	3
<i>macLECIMALohaBackoffSlot</i>	Integer	<u>As defined in 5.1.1.4.6</u>	<u>The number of symbol periods required for backoff when priority access backoff mechanism is in use, as defined in 5.1.1.4.6.</u>	<u>Implementation specific</u>
<i>macLECIMALohaBE</i>	Integer	<u>0–<i>macMinBE</i></u>	<u>The value of the constant backoff exponent for priority messages using CCA Mode 4 (ALOHA), as described in 5.1.1.4.6.</u>	<u><i>macMinBE</i>–1</u>
<i>macMPDUFragPadValue</i> [†]	TBD	TBD	The value used to pad out the last fragment when MPDU fragmentation is enabled. See [TBD] for PHY specific values.	<u>Dependent on currently selected PHY</u>
<i>macFragmentSequExtAck</i>	Boolean	<u>TRUE or FALSE</u>	Controls the behavior of the aggregated MPDU transfer acknowledgment described in 5.4.2.2.	TBD
<i>macCSNeffectTimeout</i>	Integer	TBD	Timeout for the completion of the channel switching notification and handshake.	TBD

1
2
3
4
5
6
7
8
9
10
11
12
13
14
15
16
17
18
19
20
21
22
23
24
25
26
27
28
29
30
31
32
33
34
35
36
37
38
39
40
41
42
43
44
45
46
47
48
49
50
51
52
53
54

Table 52—MAC PIB attributes

Attribute	Type	Range	Description	Default
<i>macLACKtimeout</i>	Integer	TBD	The amount of time, in PHY symbol periods, to wait for an I-ACK after the transmission of the fragment cell for which the acknowledgement is expected.	Dependent on currently selected PHY
<i>macFragmentCVSType</i>	Enumeration	16 or 32	The type of the FCS used for fragment validation. A value of 32 indicates a 4-octet FCS, as specified in 5.2.1.9. A value of 16 indicates a 2-octet FCS, as specified in 5.2.1.9. This attribute is only valid when MPDU fragmentation is implemented.	Implementation specific

6.4.3 Calculating PHY dependent MAC PIB values

6.4.3.2 General MAC PIB attributes for functional organization

Insert the following new rows at the end of Table 52a:

Table 52a—General MAC PIB attributes for functional organization

Attribute	Type	Range	Description	Default
<i>macRSLNcapable</i>	Boolean	TRUE, FALSE	A value of TRUE indicates that the device is capable of functionality specific to RSLN. A value FALSE indicates that it is not capable of RSLN functionality.	Implementation specific
<i>macRSLNenabled</i>	Boolean	TRUE, FALSE	A value of TRUE indicates that the device is using functionality specific to RSLN. A value of FALSE indicates that it is not using RSLN functionality.	Implementation specific
<i>macExtendedDSMEcapable</i>	Boolean	TRUE, FALSE	A value of TRUE indicates that the device is capable of functionality specific to ExtendedDSME. A value of FALSE indicates that the device is not capable of functionality specific to ExtendedDSME.	Implementation specific
<i>macExtendedDSMEEnabled</i>	Boolean	TRUE, FALSE	A value of TRUE indicates that the device is using functionality specific to ExtendedDSME. A value of FALSE indicates that the device is not using functionality specific to ExtendedDSME.	Implementation specific

6.4.3.4 MAC PIB attributes for hopping sequence

Change Table 52f (the entire table is not shown) as indicated:

Table 52h—DSME-specific MAC PIB attributes

Attribute	Type	Range	Description	Default
<i>macHoppingSequenceID</i>	Integer	0x00–0x0f	Each The unique ID of the hopping sequence has a unique ID.	0

6.4.3.6 DSME-specific MAC PIB attributes

Change Table 52h (the entire table is not shown) as indicated. The description of the attribute macDSMEACT is reproduced here to assist the reader. No change is made to this description.

Table 52h—DSME-specific MAC PIB attributes

Attribute	Type	Range	Description	Default
<i>macChannelDiversityMode</i>	Integer	0–1	Indicates the method of channel diversity: 0x00 = Channel Adaptation 0x01 = Channel Hopping This value is not valid for a nonbeacon-enabled PAN.	0x00
<i>macMultisuperframeOrder</i>	Integer	0– 15 <u>22</u>	The length of a multi-superframe, which is a cycle of the repeated superframes.	15 <u>TBD</u>
<i>macDSMEACT</i>	Bitmap	Refer to Table 1a	The allocation counter table of the DSME-GTS allocated to the device.	0
<i>macAllocationOrder</i>	<u>Integer</u>	<u>0–8</u>	<u>As defined in 5.3.11.3.6.</u>	<u>0</u>
<i>macBeaconIntervallIndex</i>	<u>Integer</u>	<u>0–255</u>	<u>As defined in 5.3.11.3.7.</u>	<u>0</u>

Insert the following new row at the end of Table 52i:

Table 52i—Elements of Neighbor Information

Attribute	Type	Range	Description
<i>macAllocationOrder</i>	Integer	0–8	As defined in 5.3.11.3.6.

6.4.3.7 LE-specific MAC PIB attributes

Insert the following new rows at the end of Table 52j:

Insert the following new subclause (6.4.3.12) after 6.4.3.11:

6.4.3.12 RSLN-specific MAC PIB attributes

Subclause 6.4.3.1 applies and additional attributes are required, as presented in Table 52o.

1
2
3
4
5
6
7
8
9
10
11
12
13
14
15
16
17
18
19
20
21
22
23
24
25
26
27
28
29
30
31
32
33
34
35
36
37
38
39
40
41
42
43
44
45
46
47
48
49
50
51
52
53
54

Table 52j—MAC PIB attributes

Attribute	Type	Range	Description	Default
<i>macHWSLEnabled</i>	Boolean	TRUE, FALSE	A value of TRUE indicates that HWSL mode is enabled. A value of FALSE indicates that it is disabled.	FALSE
<i>macHWSLPeriod</i>	Integer	0–65535	The HWSL sampled listening period measured in units of 10 symbols.	0
<i>macHWSLMaxPeriod</i>	Integer	0–65535	Maximum length of HWSL wakeup sequence measured in units of 10 symbols.	<i>macHWSLPeriod</i>
<i>macHWSLFramePendingWaitTime</i>	Integer	(<i>macMinLIFSPeriod</i> + maximum number of symbols per PPDU) – 65535	Specifies the length of time, in symbols, to keep the receiver on after receiving a data frame with the Frame Pending field of the Frame Control field set to one.	TBD
<i>macHWSLWakeupInterval</i>	TBD	TBD	Specifies the interval between two successive HWSL wakeup frames in an HWSL wakeup sequence.	TBD
<i>macIRITPeriod</i>	Integer	0x0000–0xffff	A value of zero indicates that I-RIT is disabled. A non-zero value specifies the interval, in symbol periods, from the end of the transmitted frame to the beginning of the I-RIT listening period.	0x00
<i>macIRITListenDuration</i>	Integer	0x00–0xff	The duration of listening time, in symbol periods, for which the receiver is listening for the beginning of a frame to receive.	0x64
<i>macIRITEnabled</i>	Boolean	TRUE, FALSE	Enables the IRIT mode of operation as described in 5.1.11.4.	FALSE

Table 52o—RSLN specific MAC PIB attributes

Attribute	Type	Range	Description	Default
<i>macNumPrioritizedDeviceSlot</i>	Integer	1–3	The number of time slots in a superframe assigned as the prioritized device slots.	1
<i>macNumCoordSlot</i>	Integer	1–3	The number of time slots in a superframe assigned as the coordinator slots.	1
<i>macNumBidirDeviceSlot</i>	Integer	1–7	The number of time slots in a cyclic-superframe assigned as the bidirectional device slots.	2

Table 52o—RSLN specific MAC PIB attributes

Attribute	Type	Range	Description	Default
<i>macRelayingTier</i>	Integer	0–7	The identifier of the relaying tier in which a device is placed. The relaying tier of the PAN coordinator is zero.	0
<i>macRelayingSync Reference</i>	Integer	$0 \leq (\text{macBeaconOrder} - \text{macSuperframeOrder})$, where $(\text{macBeaconOrder} - \text{macSuperframeOrder}) \leq 9$	The index of the slotted-superframe starting to transmit a cyclic-superframe. The reference of relaying synchronization of the PAN coordinator is zero.	Implementation specific

1
2
3
4
5
6
7
8
9
10
11
12
13
14
15
16
17
18
19
20
21
22
23
24
25
26
27
28
29
30
31
32
33
34
35
36
37
38
39
40
41
42
43
44
45
46
47
48
49
50
51
52
53
54

1
2
3
4
5
6
7
8
9
10
11
12
13
14
15
16
17
18
19
20
21
22
23
24
25
26
27
28
29
30
31
32
33
34
35
36
37
38
39
40
41
42
43
44
45
46
47
48
49
50
51
52
53
54

8. General PHY requirements

8.1 General requirements and definitions

Insert the following items at the end of the second list in 8.1:

- **LECIM DSSS PHY:** a multi-regional, direct sequence spread spectrum (DSSS) PHY operating at over-the-air data rates in support of low energy, critical infrastructure monitoring (LECIM) applications, as defined in 19.1.
- **LECIM FSK PHY:** a multi-regional, frequency shift keying (FSK) PHY operating at over-the-air data rates in support of LECIM applications, as defined in 19.2.

8.1.1 Operating frequency range

Insert the following new rows at the end of table 66:

Table 66—Frequency bands and data rates

PHY (MHz)	Frequency band (MHz)	Spreading parameters		Data parameters		
		Chip rate (kchip/s)	Modulation	Bit rate (kb/s)	Symbol rate (ksymbol/s)	Symbols
169	169.400–169.475	—	GFSK	25	25	Binary
		—	GFSK	12.5	12.5	Binary
433	433.050–434.790	—	GFSK/FSK	37.5	37.5	Binary
		—	GFSK/FSK	25	25	Binary
		—	FSK	12.5	12.5	Binary
470	470–510	—	GFSK/FSK	37.5	37.5	Binary
		—	GFSK/FSK	25	25	Binary
		—	FSK	12.5	12.5	Binary
780	779–787	—	GFSK/FSK	37.5	37.5	Binary
		—	GFSK/FSK	25	25	Binary
		—	FSK	12.5	12.5	Binary
863	863–870	—	GFSK/FSK	25	25	Binary
		—	FSK	12.5	12.5	Binary
915	902–928	—	GFSK/FSK	37.5	37.5	Binary
		—	GFSK/FSK	25	25	Binary
		—	FSK	12.5	12.5	Binary
917	917–923.5	—	GFSK/FSK	37.5	37.5	Binary
		—	GFSK/FSK	25	25	Binary
		—	FSK	12.5	12.5	Binary

1
2
3
4
5
6
7
8
9
10
11
12
13
14
15
16
17
18
19
20
21
22
23
24
25
26
27
28
29
30
31
32
33
34
35
36
37
38
39
40
41
42
43
44
45
46
47
48
49
50
51
52
53
54

Table 66—Frequency bands and data rates

PHY (MHz)	Frequency band (MHz)	Spreading parameters		Data parameters		
		Chip rate (kchip/s)	Modulation	Bit rate (kb/s)	Symbol rate (ksymbol/s)	Symbols
920	920–928	—	GFSK/FSK	37.5	37.5	Binary
		—	GFSK/FSK	25	25	Binary
		—	FSK	12.5	12.5	Binary
2450	2400–2483.5	—	GFSK/FSK	37.5	37.5	Binary
		—	GFSK/FSK	25	25	Binary
		—	FSK	12.5	12.5	Binary

8.1.2 Channel assignments

<REVISIT> LECIM channel assignments match those used for the SUN PHY MR-FSK mode channel assignments. (Can this reference section 16? or do we want a separate channel page for LECIM?)

Table 1—Total number of channels and first channel center frequencies for LECIM FSK PHYs

Frequency band (MHz)	Modulation (uplink/downlink)	ChanSpacing (MHz)	TotalNumChan	ChanCenterFreq ₀ (MHz)
169.400–169.475	GFSK	0.050	1	169.4375
433.050–434.790	GFSK/FSK	0.2	8	433.22
470–510			199	470.2
779–787			39	779.2
863–870			34	863.125
902–928			129	902.2
917–923.5			32	917.1
920.5–923.5			15	920.6
2400–2483.5			416	2400.2

<editor's note: renumber "Table 1" and "Table 2" once the text for this subclause is complete.>

**Table 2—Total number of channels and first channel center frequencies for LECIM FSK
 PHYs - alternate 100 kHz channels**

Frequency band (MHz)	Modulation (uplink/ downlink)	ChanSpacing (MHz)	TotalNumChan	ChanCenterFreq₀ (MHz)
433.050–434.790	GFSK/FSK	0.1	16	433.170
470–510			399	470.1
779–787			79	779.1
863–870			69	863.075
902–928			259	902.1

1
2
3
4
5
6
7
8
9
10
11
12
13
14
15
16
17
18
19
20
21
22
23
24
25
26
27
28
29
30
31
32
33
34
35
36
37
38
39
40
41
42
43
44
45
46
47
48
49
50
51
52
53
54

1
2
3
4
5
6
7
8
9
10
11
12
13
14
15
16
17
18
19
20
21
22
23
24
25
26
27
28
29
30
31
32
33
34
35
36
37
38
39
40
41
42
43
44
45
46
47
48
49
50
51
52
53
54

9. PHY services

9.3 PHY PIB attributes

Insert the following new rows at the end of Table 71:

Table 71—PHY PIB attributes

Attribute	Type	Range	Description
<i>phyLECIDSSSPDUModulation</i>	Enumeration	BPSK, OQPSK	The selected modulation type. This attribute is only valid for the LECIM DSSS PHY.
<i>phyLECIDSSSPDUTxAt</i>	Integer	0–[2 ²⁴ –1]	The time, in modulation symbols, relative to the start of the beacon. This attribute is only valid for the LECIM DSSS PHY.
<i>phyLECIDSSSPDUSpreading-Factor</i>	Integer	4–15	2 ^x chips per symbol. This attribute is only valid for the LECIM DSSS PHY.
<i>phyLECIDSSSPDUGoldCode-Seed</i>	Integer	0–[2 ²⁵ –1]	The seed for the Gold code generator when encoding the PSDU. This attribute is only valid for the LECIM DSSS PHY.
<i>phyLECIDSSSPDUGold-CodeResetPerSymbol</i>	Boolean	TRUE or FALSE	Reset Gold code generator per symbol. This attribute is only valid for the LECIM DSSS PHY.
<i>phyLECIDSSSPDUSize</i>	Integer	0, 16, 24, 32	The size, in octets, of the PSDU. A value of zero indicates a variable size, which is encoded in the PHR. This attribute is only valid for the LECIM DSSS PHY.
<i>phyLECIDSSSPHRGoldCode-Seed</i>	Integer	0–[2 ²⁵ –1]	The seed for the Gold code generator when encoding the PHR. This attribute is only valid for the LECIM DSSS PHY.
<i>phyLECIDSSSPHRGoldCodeResetPerSymbol</i>	Boolean	TRUE or FALSE	Reset Gold code generator per symbol. This attribute is only valid for the LECIM DSSS PHY.
<i>phyLECIDSSSSHRSpreadingFactor</i>	Integer	4–15	2 ^x chips per symbol. This attribute is only valid for the LECIM DSSS PHY.

1
2
3
4
5
6
7
8
9
10
11
12
13
14
15
16
17
18
19
20
21
22
23
24
25
26
27
28
29
30
31
32
33
34
35
36
37
38
39
40
41
42
43
44
45
46
47
48
49
50
51
52
53
54

Table 71—PHY PIB attributes

Attribute	Type	Range	Description
<i>phyLECIDSSSSHRGoldCodeSeed</i>	Integer	0–[2 ²⁵ –1]	The seed for the Gold code generator when encoding the SHR. This attribute is only valid for the LECIM DSSS PHY.
<i>phyLECIDSSSSHRGoldCodeResetPerSymbol</i>	Boolean	TRUE or FALSE	Reset Gold code generator per symbol. This attribute is only valid for the LECIM DSSS PHY.
<i>phyLECIDSSSPreambleRepetition</i>	Integer	0–8	The number of 2 or 4 symbol preamble patterns, as described in 19.1.1.1.1, in the preamble. A value of zero indicates that the preamble is not present. This attribute is only valid for the LECIM DSSS PHY.
<i>phyLECIDSSSPreambleSize</i>	Integer	16, 32	The length of the preamble in bits. This attribute is only valid for the LECIM DSSS PHY.
<i>phyLECIDSSSFDEnabled</i>	Boolean	TRUE or FALSE	A value of TRUE indicates that the SFD is present. A value of FALSE indicates that the SFD is not present. This attribute is only valid for the LECIM DSSS PHY.
<i>phyLECIDFSKPreambleLength</i>	Integer	4–100	The number of times the preamble contains the pattern defined in 19.2.1.1. This attribute is only valid for the LECIM FSK PHY.
<i>phyLECIDFSKPSDUPositionMod</i>	Enumeration	ON or OFF	Indicates whether position-based modulation is enabled. A value of ON indicates that position-based modulation is enabled. A value of OFF indicates that it is not enabled. This attribute is only valid for the LECIM FSK PHY.
<i>phyLECIDFSKSpreading</i>	Boolean	TRUE or FALSE	A value of TRUE indicates that spreading is enabled. A value of FALSE indicates that spreading is disabled. This attribute is only valid for the LECIM FSK PHY.
<i>phyLECIDFSKSpreadingFactor</i>	Integer	1, 2, 4, 8, 16	The spreading factor (SF) to be used when <i>phyLECIDFSKSpreading</i> is TRUE. This attribute is only valid for the LECIM FSK PHY.

Table 71—PHY PIB attributes

Attribute	Type	Range	Description
<i>phyLECMFSKScramblePSDU</i>	Boolean	TRUE or FALSE	A value of FALSE indicates that data whitening of the PSDU is disabled. A value of TRUE indicates that data whitening of the PSDU is enabled. This attribute is only valid for the LECIM FSK PHY.
<i>phyLECMFECEnabled</i>	Boolean	TRUE or FALSE	A value of TRUE indicates that FEC is turned on. A value of FALSE indicates that FEC is turned off. This attribute is only valid for the LECIM FSK PHY.
<i>phyLECMFSKInterleavingEnabled</i>	Boolean	TRUE or FALSE	A value of TRUE indicates that interleaving is turned on. A value of FALSE indicates that interleaving is turned off. This attribute is only valid for the LECIM FSK PHY.

1
2
3
4
5
6
7
8
9
10
11
12
13
14
15
16
17
18
19
20
21
22
23
24
25
26
27
28
29
30
31
32
33
34
35
36
37
38
39
40
41
42
43
44
45
46
47
48
49
50
51
52
53
54

1
2
3
4
5
6
7
8
9
10
11
12
13
14
15
16
17
18
19
20
21
22
23
24
25
26
27
28
29
30
31
32
33
34
35
36
37
38
39
40
41
42
43
44
45
46
47
48
49
50
51
52
53
54

Insert after Clause 18 the following new clause (Clause 19):

19. LECIM PHYs

Two PHYs are specified in order to support LECIM applications: direct sequence spread spectrum (DSSS; see 19.1) and frequency shift keying (FSK; see 19.2).

19.1 DSSS PHY specification

The direct sequence spread spectrum (DSSS) PHY is described in the following subclauses.

19.1.1 PPDU format for DSSS

For convenience, the PPDU structure is presented so that the leftmost field as written in this standard shall be transmitted or received first. All multiple octet fields shall be transmitted or received least significant octet first, and each octet shall be transmitted or received least significant bit (LSB) first.

The PPDU shall be formatted as illustrated in Figure 154.

Octets			
0/2/4	0/1	0/1/2	Fixed/1–128/129–2048
Preamble	SFD	See Figure 155	PSDU
SHR		PHR	PHY payload

Figure 154—Format of the LECIM DSSS PPDU

The relationship among the PPDU fields is given in Table 189.

Table 189—Relationship among the LECIM DSSS PPDU fields

Configuration	Preamble length (octets)	SFD length (octets)	PHR length (octets)	PSDU length (octets)
1	0	0	0	Fixed length
2	2/4	1	1	1–128
3	2/4	1	2	129–2048

Figure 155 shows the configuration of the PHR as a function of PHR length.

19.1.1.1 SHR

The synchronization header (SHR), if present, is used for obtaining frequency, symbol, and frame synchronization. It consists of the preamble and the start-of-frame delimiter (SFD). It is possible to recover a fixed length frame without the use of an SFD or SHR.

PHR length (octets)	PHR contents		
0	—		
1	0	Frame length (7 bits)	
2	1	Reserved (4 bits)	Frame length (11 bits)

Figure 155—PHR configuration for LECIM DSSS PHY

19.1.1.1.1 Preamble field

The Preamble field, if present, is used to obtain symbol timing and frequency offset. A preamble length of 0, 2, or 4 octets may be commissioned.

Preamble₁₆ = [0011 1111 0101 1001]

Preamble₃₂ = [TBD]

19.1.1.1.2 SFD field

The SFD field, if present, indicates the beginning of the frame.

SFD = [TBD]

19.1.1.2 PHR

The PHY header (PHR) is used to indicate the length of a variable length PHY payload. When the PHY payload is commissioned to a fixed size, the PHR is elided. For variable length PHY payloads of up to 128 octets, the PHR is one octet and represents a payload of $n + 1$ octets where $n = 0 \dots 127$. For variable length PHY payloads of 129–2048 octets, the PHR is two octets. The bit definitions of the one and two octet PHRs are illustrated in Figure 155.

19.1.2 Modulation and spreading

19.1.2.1 Data rate

The data rate is band and/or region specific. Table 190 gives the frequency bands and data rates for the DSSS PHY.

The channelization for the 868 MHz band is as follows:

- Channel 0: 868.300 MHz
- Channel 1: 868.950 MHz
- Channel 2: 869.525 MHz

The channel numbering and spacing for the 902 MHz band are as follows:

$$904 + [(n - 1) \times 1.99 \text{ MHz}]$$

where $n = 1 \dots 15$.

Table 190—Frequency bands and data rates for LECIM DSSS PHY

PHY (MHz)	Frequency band (MHz)	Region/availability	Chip rate (kchip/s)	Modulation	Occupied bandwidth
470	470–510	China	100	BPSK/ O-QPSK	
780	779–787	China	1000	BPSK/ O-QPSK	
868	863–870	EU/CEPT	100	BPSK/ O-QPSK	
902	902–928	Americas, Australia	1000	BPSK/ O-QPSK	
917	917–923.5	South Korea		BPSK/ O-QPSK	
				BPSK/ O-QPSK	
				BPSK/ O-QPSK	
920	920–928	Japan	200	BPSK/ O-QPSK	
			600	BPSK/ O-QPSK	
			1000	BPSK/ O-QPSK	
2450	2400–2483.5	Worldwide	1000, 2000	BPSK/ O-QPSK	

The channel numbering and spacing for the 2400 MHz band are as follows:

$$2402 + [(n - 1) \times 1.99 \text{ MHz}]$$

where $n = 1 \dots 41$.

The 1.99 MHz spacing is used to minimize false lock and interference from spurious.

19.1.2.2 Reference modulator diagram

The functional block diagram in Figure 156 is provided as a reference for specifying the LECIM DSSS PHY modulation. All binary data contained in the SHR, PHR, and PSDU shall be encoded using the modulation shown in Figure 156.

19.1.2.3 Convolutional forward error correction (FEC) encoding

The convolutional encoder is the same as specified in 16.3.2.6.

1
2
3
4
5
6
7
8
9
10
11
12
13
14
15
16
17
18
19
20
21
22
23
24
25
26
27
28
29
30
31
32
33
34
35
36
37
38
39
40
41
42
43
44
45
46
47
48
49
50
51
52
53
54

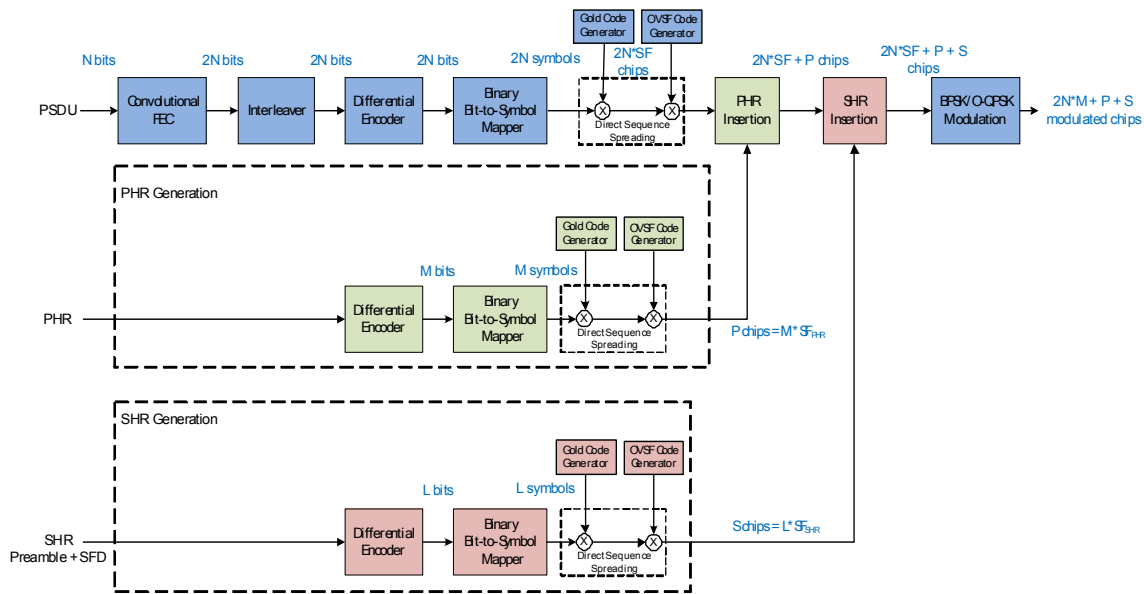


Figure 156—LECIM DSSS reference modulator diagram

19.1.2.4 Interleaver

The output of the convolutional coder is interleaved using a pruned bit reversal interleaving (PBRI) algorithm.

The text that follows contains examples of bit reverse interleavers for three fragment sizes (256, 384, 512 symbols). Fragment sizes that are not powers of two (e.g., 384) employ pruning.

19.1.2.4.1 256 symbol fragment size

If the input sequence into the interleaver is represented by

$$[S_0 S_1 \dots S_{255}]$$

Then the output sequence of the interleaver can be described as

$$[S_0 S_N \dots S_{255}]$$

The value N for the M^{th} output is determined as the bit-reversal of the value M .

Representing the value M as a binary representation

$$M = [m_7 m_6 \dots m_0]$$

where m_i are the binary digits, then

$$N = [m_0 m_1 \dots m_7]$$

where M is incremented sequentially from 0 to 255.

For example if $M = 1 = 0000\ 0001_2$, then $N = 1000\ 0000_2 = 128$

The sequence of N is shown in Table 191.

Table 191—Sequence of N for 256 symbol fragment size

	Bit: 0	1	2	3	4	5	6	7
Octet: 0	000	128	064	192	032	160	096	224
1	016	144	080	208	048	176	112	240
2	008	136	072	200	040	168	104	232
3	024	152	088	216	056	184	120	248
4	004	132	068	196	036	164	100	228
5	020	148	084	212	052	180	116	244
6	012	140	076	204	044	172	108	236
7	028	156	092	220	060	188	124	252
8	002	130	066	194	034	162	098	226
9	018	146	082	210	050	178	114	242
10	010	138	074	202	042	170	106	234
11	026	154	090	218	058	186	122	250
12	006	134	070	198	038	166	102	230
13	022	150	086	214	054	182	118	246
14	014	142	078	206	046	174	110	238
15	030	158	094	222	062	190	126	254
16	001	129	065	193	033	161	097	225
17	017	145	081	209	049	177	113	241
18	009	137	073	201	041	169	105	233
19	025	153	089	217	057	185	121	249
20	005	133	069	197	037	165	101	229
21	021	149	085	213	053	181	117	245
22	013	141	077	205	045	173	109	237

1
2
3
4
5
6
7
8
9
10
11
12
13
14
15
16
17
18
19
20
21
22
23
24
25
26
27
28
29
30
31
32
33
34
35
36
37
38
39
40
41
42
43
44
45
46
47
48
49
50
51
52
53
54

Table 191—Sequence of N for 256 symbol fragment size

	Bit: 0	1	2	3	4	5	6	7
23	029	157	093	221	061	189	125	253
24	003	131	067	195	035	163	099	227
25	019	147	083	211	051	179	115	243
26	011	139	075	203	043	171	107	235
27	027	155	091	219	059	187	123	251
28	007	135	071	199	039	167	103	231
29	023	151	087	215	055	183	119	247
30	015	143	079	207	047	175	111	239
31	031	159	095	223	063	191	127	255

19.1.2.4.2 384 symbol fragment size

If the input sequence into the interleaver is represented by

$$[S_0 S_1 \dots S_{383}] \tag{1}$$

Then the output sequence of the interleaver can be described as

$$[S_0 S_N \dots S_{383}]$$

The value N for the M_{th} output is determined as the bit-reversal of the value M .

Representing the value M as a binary representation

$$M = [m_8 m_7 \dots m_0]$$

where m_i are the binary digits, then

$$N = [m_0 m_1 \dots m_8]$$

where M is incremented sequentially from 0 to 512 and M' are the ordered set of M whose corresponding N is less than 384 (this is the pruning process).

For example:

- If $M = 1 = 00000\ 0001_2$, then $N = 10000\ 0000_2 = 256$.
- If $M = 2 = 00000\ 0010_2$, then $N = 01000\ 0000_2 = 128$.
- If $M = 3 = 00000\ 0011_2$, then $N = 11000\ 0000_2 = 384$, and since it is not less than 384, it would not be included in the ordered set M' (i.e., it is pruned from the result).
- If $M = 4 = 00000\ 0100_2$, then $N = 00100\ 0000_2 = 64$.

The sequence of N is shown in Table 192.

Table 192—Sequence of N for 384 symbol fragment size (pruned)

	Bit: 0	1	2	3	4	5	6	7
Octet: 0	000	256	128	064	320	192	032	288
1	160	096	352	224	016	272	144	080
2	336	208	048	304	176	112	368	240
3	008	264	136	072	328	200	040	296
4	168	104	360	232	024	280	152	088
5	344	216	056	312	184	120	376	248
6	004	260	132	068	324	196	036	292
7	164	100	356	228	020	276	148	084
8	340	212	052	308	180	116	372	244
9	012	268	140	076	332	204	044	300
10	172	108	364	236	028	284	156	092
11	348	220	060	316	188	124	380	252
12	002	258	130	066	322	194	034	290
13	162	098	354	226	018	274	146	082
14	338	210	050	306	178	114	370	242
15	010	266	138	074	330	202	042	298
16	170	106	362	234	026	282	154	090
17	346	218	058	314	186	122	378	250
18	006	262	134	070	326	198	038	294
19	166	102	358	230	022	278	150	086
20	342	214	054	310	182	118	374	246
21	014	270	142	078	334	206	046	302
22	174	110	366	238	030	286	158	094
23	350	222	062	318	190	126	382	254
24	001	257	129	065	321	193	033	289

1
2
3
4
5
6
7
8
9
10
11
12
13
14
15
16
17
18
19
20
21
22
23
24
25
26
27
28
29
30
31
32
33
34
35
36
37
38
39
40
41
42
43
44
45
46
47
48
49
50
51
52
53
54

Table 192—Sequence of N for 384 symbol fragment size (pruned)

	Bit: 0	1	2	3	4	5	6	7
25	161	097	353	225	017	273	145	081
26	337	209	049	305	177	113	369	241
27	009	265	137	073	329	201	041	297
28	169	105	361	233	025	281	153	089
29	345	217	057	313	185	121	377	249
30	005	261	133	069	325	197	037	293
31	165	101	357	229	021	277	149	085
32	341	213	053	309	181	117	373	245
33	013	269	141	077	333	205	045	301
34	173	109	365	237	029	285	157	093
35	349	221	061	317	189	125	381	253
36	003	259	131	067	323	195	035	291
37	163	099	355	227	019	275	147	083
38	339	211	051	307	179	115	371	243
39	011	267	139	075	331	203	043	299
40	171	107	363	235	027	283	155	091
41	347	219	059	315	187	123	379	251
42	007	263	135	071	327	199	039	295
43	167	103	359	231	023	279	151	087
44	343	215	055	311	183	119	375	247
45	015	271	143	079	335	207	047	303
46	175	111	367	239	031	287	159	095
47	351	223	063	319	191	127	383	255

19.1.2.4.3 512 symbol fragment size

If the input sequence into the interleaver is represented by

$$[S_0 S_1 \dots S_{511}]$$

Then the output sequence of the interleaver can be described as

$$[S_0 S_N \dots S_{511}]$$

The value N for the M^{th} output is determined as the bit-reversal of the value M .

Representing the value M as a binary representation

$$M = [m_8 m_7 \dots m_0]$$

where m_i are the binary digits, then

$$N = [m_0 m_1 \dots m_8]$$

where M is incremented sequentially from 0 to 511.

For example if $M = 1 = 00000\ 0001_2$, then $N = 10000\ 0000_2 = 256$.

The sequence of N is shown in Table 193.

Table 193—Sequence of N for 512 symbol fragment size

	Bit: 0	1	2	3	4	5	6	7
Octet: 0	000	256	128	384	064	320	192	448
1	032	288	160	416	096	352	224	480
2	016	272	144	400	080	336	208	464
3	048	304	176	432	112	368	240	496
4	008	264	136	392	072	328	200	456
5	040	296	168	424	104	360	232	488
6	024	280	152	408	088	344	216	472
7	056	312	184	440	120	376	248	504
8	004	260	132	388	068	324	196	452
9	036	292	164	420	100	356	228	484
10	020	276	148	404	084	340	212	468
11	052	308	180	436	116	372	244	500
12	012	268	140	396	076	332	204	460
13	044	300	172	428	108	364	236	492
14	028	284	156	412	092	348	220	476

1
2
3
4
5
6
7
8
9
10
11
12
13
14
15
16
17
18
19
20
21
22
23
24
25
26
27
28
29
30
31
32
33
34
35
36
37
38
39
40
41
42
43
44
45
46
47
48
49
50
51
52
53
54

Table 193—Sequence of N for 512 symbol fragment size

	Bit: 0	1	2	3	4	5	6	7
15	060	316	188	444	124	380	252	508
16	002	258	130	386	066	322	194	450
17	034	290	162	418	098	354	226	482
18	018	274	146	402	082	338	210	466
19	050	306	178	434	114	370	242	498
20	010	266	138	394	074	330	202	458
21	042	298	170	426	106	362	234	490
22	026	282	154	410	090	346	218	474
23	058	314	186	442	122	378	250	506
24	006	262	134	390	070	326	198	454
25	038	294	166	422	102	358	230	486
26	022	278	150	406	086	342	214	470
27	054	310	182	438	118	374	246	502
28	014	270	142	398	078	334	206	462
29	046	302	174	430	110	366	238	494
30	030	286	158	414	094	350	222	478
31	062	318	190	446	126	382	254	510
32	001	257	129	385	065	321	193	449
33	033	289	161	417	097	353	225	481
34	017	273	145	401	081	337	209	465
35	049	305	177	433	113	369	241	497
36	009	265	137	393	073	329	201	457
37	041	297	169	425	105	361	233	489
38	025	281	153	409	089	345	217	473
39	057	313	185	441	121	377	249	505
40	005	261	133	389	069	325	197	453
41	037	293	165	421	101	357	229	485

Table 193—Sequence of N for 512 symbol fragment size

	Bit: 0	1	2	3	4	5	6	7
42	021	277	149	405	085	341	213	469
43	053	309	181	437	117	373	245	501
44	013	269	141	397	077	333	205	461
45	045	301	173	429	109	365	237	493
46	029	285	157	413	093	349	221	477
47	061	317	189	445	125	381	253	509
48	003	259	131	387	067	323	195	451
49	035	291	163	419	099	355	227	483
50	019	275	147	403	083	339	211	467
51	051	307	179	435	115	371	243	499
52	011	267	139	395	075	331	203	459
53	043	299	171	427	107	363	235	491
54	027	283	155	411	091	347	219	475
55	059	315	187	443	123	379	251	507
56	007	263	135	391	071	327	199	455
57	039	295	167	423	103	359	231	487
58	023	279	151	407	087	343	215	471
59	055	311	183	439	119	375	247	503
60	015	271	143	399	079	335	207	463
61	047	303	175	431	111	367	239	495
62	031	287	159	415	095	351	223	479
63	063	319	191	447	127	383	255	511

19.1.2.5 Differential encoding

The differential encoding of the DSSS PHY is described in 11.2.3.

19.1.2.6 Bit-to-symbol and symbol-to-chip encoding

The bit-to-symbol mapper converts bits into binary symbols through the mapping:

1
2
3
4
5
6
7
8
9
10
11
12
13
14
15
16
17
18
19
20
21
22
23
24
25
26
27
28
29
30
31
32
33
34
35
36
37
38
39
40
41
42
43
44
45
46
47
48
49
50
51
52
53
54

$$x[n] = \begin{cases} 1, & \text{if } b[n] = 0 \\ -1, & \text{if } b[n] = 1 \end{cases}$$

These binary symbols are then spread to chip-rate with spreading factor SF. This process is illustrated explicitly in Figure 157 where SF = 8. The symbols are first up-sampled SF times and interpolated using a scaled boxcar filter, as shown in Figure 158, i.e., the symbol is repeated SF times at chip-rate. Note that this is a mathematical representation of the direct sequence spreading operation. This process can be implemented in an alternative manner that is mathematically equivalent. The up-sampled symbols are multiplied by a specified Gold code to create the spread signal.

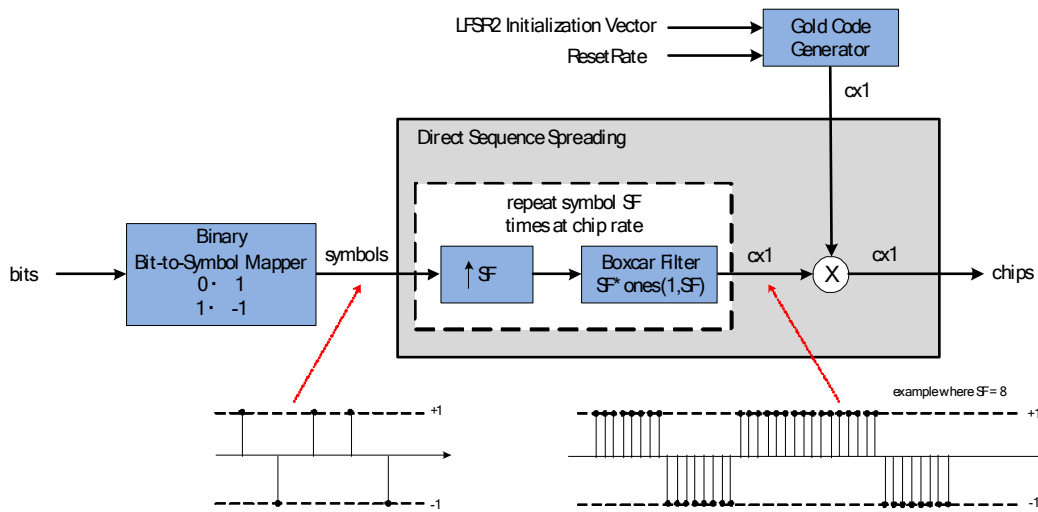


Figure 157—Bit-to-chip diagram for LECIM DSSS PHY

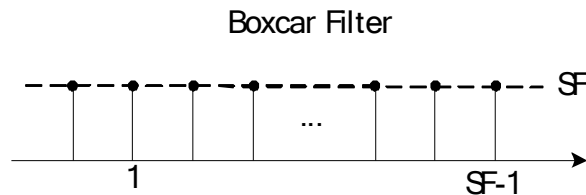


Figure 158—Boxcar filter

19.1.2.6.1 Gold code generator

Gold code sequences are a large family of easily parameterized PN sequences with good periodic cross-correlation and off-peak auto-correlation properties. A Gold code sequence is derived from the binary addition (XOR) of two maximum length sequences (m -sequences, or MLS). The m -sequences are generated using Fibonacci linear feedback shift registers (LFSR). Each LFSR is constructed from primitive (or prime) polynomials over Galois field 2 (GF[2]). The resulting sequences thus constitute segments of a set of Gold sequences. The specific m -sequences that follow are the preferred pair as described in the 3rd Generation Partnership Project (3GPP) Technical Specification 25.213. The Gold sequence can be parameterized by setting the initialization vector of LFSR2 to different values (LFSR1 is always initialized to 0x1).

- $m = 25$ (length of LSFR)
- $n = 2m - 1 = 33,554,431$ (length of Gold code)
- $n + 2 = 33,554,433$ (total Gold sequences) = $a, b, a \times b, a \times Tb, a \times T2b, \dots$

LFSR (MLS) generator polynomials:

- $p1(x) = x^{25} + x^3 + 1$
- $p2(x) = x^{25} + x^3 + x^2 + x + 1$

19.1.2.6.2 OVSF code generator

The orthogonal variable spreading factor (OVSF) code is the same as the Walsh code, except that each sequence has a different index number in the code set, which is a result of their different generation algorithms.

The Gold code is to be used inside a co-located orthogonal network (CLON) as a primary code. OVSF codes are to be used to preserve orthogonality to identify the CLONs and clusters. It will provide double protection from outside interference.

The OVSF code is a linear code over a binary alphabet that maps messages of length n to codewords of length $2n$, and is generated from a Hadamard matrix but with the permutation matrix concept.

To reconstruct the OVSF code, recursively define a sequence of codes C_i as follows. Let C_0 be the root [1]. Assuming that C_i has been defined, for $i < r$, define C_{i+1} by

$$C_{i+1} = \begin{cases} C_i C_i, & \text{if } x_i = 0 \\ C_i (-C_i), & \text{if } x_i = 1 \end{cases}$$

The code C_N has the specified spreading factor and code index.

19.1.2.7 BPSK/O-QPSK modulation

19.1.2.7.1 BPSK modulation

Binary phase-shift keying (BPSK) modulation for the DSSS PHY is described in 11.2.5.

The chip sequences are modulated onto the carrier using BPSK with pulse shaping. A chip value of one corresponds to a positive pulse and a chip value of zero corresponds to a negative pulse.

Chip rates/bands are shown in Table 190.

During each symbol period, chip C_0 is transmitted first and C_{SF-1} is transmitted last.

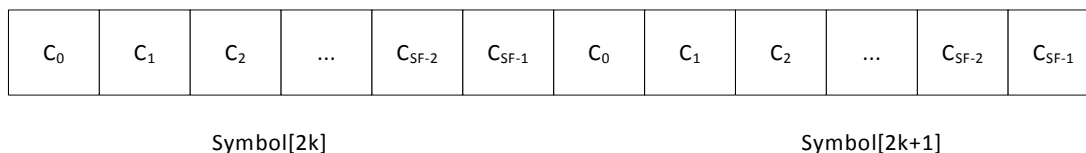


Figure 159—BPSK chip modulation

19.1.2.7.2 O-QPSK modulation

The chip sequences representing each data symbol are modulated onto the carrier using offset quadrature phase-shift keying (O-QPSK) with pulse shaping. For an even-indexed symbol, the even-indexed chips are modulated onto the in-phase (I) carrier, and odd-indexed chips are modulated onto the quadrature-phase (Q) carrier. For an odd-indexed symbol, even-indexed chips are modulated onto the quadrature-phase (Q) carrier, and odd-indexed chips are modulated onto the in-phase (I) carrier. To form the offset between I-phase and Q-phase chip modulation, the Q-phase chips shall be delayed by T_c with respect to the I-phase chips, as illustrated in Figure 160, where T_c is the inverse of the chip rate.

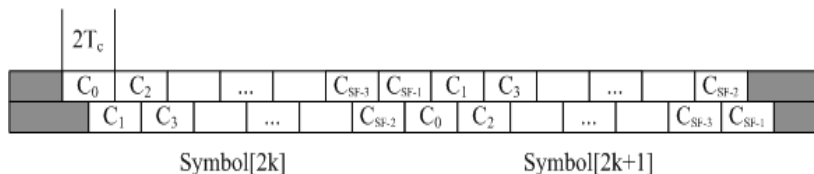


Figure 160—O-QPSK chip modulation

During each symbol period, C_0 is transmitted first and C_{SF-1} is transmitted last.

19.2 FSK PHY specification

The frequency shift keying (FSK) PHY is described in the following subclauses.

19.2.1 PPDU format for FSK

The FSK PPDU shall support the format shown in Figure 161.

The synchronization header (SHR), PHY header (PHR), and PHY payload components are treated as bit strings of length n , numbered b_0 on the left and b_{n-1} on the right. When transmitted, they are processed b_0 first to b_{n-1} last, without regard to their content or structure.

All reserved fields shall be set to zero upon transmission and shall be ignored upon reception.

		Octets	
		<i>N</i>	variable
Preamble	SFD	As defined in 19.2.1.3	PSDU
SHR		PHR	PHY payload

Figure 161—Format of the LECIM FSK PPDU

19.2.1.1 Preamble field

The Preamble field shall contain *phyLECIMFSKPreableLength* (as defined in 9.3) multiples of the 8-bit sequence “01010101.”

19.2.1.2 SFD

The SFD shall be a 3-octet sequence, as shown in Table 194.

The SFD is transmitted starting from the leftmost bit (i.e., starting with b_0).

Table 194—SFD value for LECIM FSK PHY

Octets	1	2	3
Bit map	0111 0000	1110 1110	1101 0010

19.2.1.3 PHR

The formats of the PHR are shown for 127 and 2047 octet packets in Figure 162 and Figure 163, respectively. All multi-bit fields are unsigned integers and shall be processed MSB first.

The Frame Length field can be either 7 or 11 bits, for 127 and 2047 octet packets, respectively. The value of the PHR Length field indicates which field length is used. The Frame Length field specifies the total number of octets contained in the PSDU (prior to FEC encoding, if enabled). The most significant bit (leftmost) shall be transmitted first.

The Parity field in Figure 163 is defined in the following way:

$$P = \text{PHRL} \oplus R_2 \oplus R_1 \oplus R_0 \oplus L_{10} \oplus L_9 \oplus L_8 \oplus L_7 \oplus L_6 \oplus L_5 \oplus L_4 \oplus L_3 \oplus L_2 \oplus L_1 \oplus L_0$$

It is important to note that LECIM networks are commissioned networks and strive to minimize energy consumption in battery-powered end devices. As such, not all parameters are signaled with bits in the PHR, but are instead assumed to be programmed into the network devices at commissioning. The parameters configuring the use of data whitening, FEC, interleaving, spreading, modulation type, and FCS length are considered commissioned parameters and are not signaled in the PHR.

19.2.1.4 PSDU field

The PSDU field carries the data of the PPDU.

1
2
3
4
5
6
7
8
9
10
11
12
13
14
15
16
17
18
19
20
21
22
23
24
25
26
27
28
29
30
31
32
33
34
35
36
37
38
39
40
41
42
43
44
45
46
47
48
49
50
51
52
53
54

Bit string index	0	1–7
Bit mapping	PHRL = 0	L_6-L_0
Field name	PHR Length	Frame Length

Figure 162—PHR for 127 octet packet

Bit string index	0	1	1–3	1–11
Bit mapping	PHRL = 1	P	R_2-R_0	$L_{10}-L_0$
Field name	PHR Length	Parity	Reserved	Frame Length

Figure 163—PHR for 2047 octet packet

19.2.2 Modulation and coding for FSK

The modulation for the FSK PHY shall be FSK/Gaussian FSK (GFSK) and position-based FSK (P-FSK)/position-based GFSK (P-GFSK).

Table 195 and Table 196 show the modulation and channel parameters for the standard-defined PHY operating modes for the 863 MHz, 915 MHz, 917 MHz, 920 MHz, and 2450 MHz bands.

Although there are multiple data rates for each frequency band in Table 195 and Table 196, there is no over-the-air, dynamic data rate changing mechanism defined for this PHY. It is left to the system designer to select the appropriate data rates for the deployment during the design and commissioning of each specific network. The LECIM FSK PHY is not intended to be a multi-rate PHY with over-the-air signaling of changing data rates.

Table 195—LECIM FSK modulation and channel parameters *

Frequency band (MHz)	Parameter	37.5 kbps	25 kbps	12.5 kbps
169 (Europe)	End device to coordinator	Not supported	GFSK/P-GFSK	GFSK/P-GFSK
	Coordinator to end device		FSK/P-FSK	FSK
	Modulation index		0.5	1.0
	Channel spacing (kHz)		50	50
433 (Europe, US)	End device to coordinator	GFSK/P-GFSK	GFSK/P-GFSK	GFSK/P-GFSK
	Coordinator to end device	FSK/P-FSK	FSK/P-FSK	FSK
	Modulation index	0.5	1.0	2.0
	Channel spacing (kHz)	200	200	200

Table 195—LECIM FSK modulation and channel parameters * (continued)

Frequency band (MHz)	Parameter	37.5 kbps	25 kbps	12.5 kbps
470–510 (China)	End device to coordinator	GFSK/P-GFSK	GFSK/P-GFSK	GFSK/P-GFSK
	Coordinator to end device	FSK/P-FSK	FSK/P-FSK	FSK
	Modulation index	0.5	1.0	2.0
	Channel spacing (kHz)	200	200	200
779–787 (China)	End device to coordinator	GFSK/P-GFSK	GFSK/P-GFSK	GFSK/P-GFSK
	Coordinator to end device	FSK/P-FSK	FSK/P-FSK	FSK
	Modulation index	0.5	1.0	2.0
	Channel spacing (kHz)	200	200	200
863–870 (Europe)	End device to coordinator	GFSK/P-GFSK	GFSK/P-GFSK	GFSK/P-GFSK
	Coordinator to end device	FSK/P-FSK	FSK/P-FSK	FSK
	Modulation index	0.5	1.0	2.0
	Channel spacing (kHz)	200	200	200
902–928 (US ISM)	End device to coordinator	GFSK/P-GFSK	GFSK/P-GFSK	GFSK/P-GFSK
	Coordinator to end device	FSK/P-FSK	FSK/P-FSK	FSK
	Modulation index	0.5	1.0	2.0
	Channel spacing (kHz)	200	200	200
917–923.5 (Korea)	End device to coordinator	GFSK/P-GFSK	GFSK/P-GFSK	GFSK/P-GFSK
	Coordinator to end device	FSK/P-FSK	FSK/P-FSK	FSK
	Modulation index	0.5	1.0	2.0
	Channel spacing (kHz)	200	200	200
920–928 (Japan)	End device to coordinator	GFSK/P-GFSK	GFSK/P-GFSK	GFSK/P-GFSK
	Coordinator to end device	FSK/P-FSK	FSK/P-FSK	FSK
	Modulation index	0.5	1.0	2.0
	Channel spacing (kHz)	200	200	200
2400–2483.5 (Worldwide)	End device to coordinator	GFSK/P-GFSK	GFSK/P-GFSK	GFSK/P-GFSK
	Coordinator to end device	FSK/P-FSK	FSK/P-FSK	FSK
	Modulation index	0.5	1.0	2.0
	Channel spacing (kHz)	200	200	200

*Data rates shown are over-the-air data rates (the data rate transmitted over the air regardless whether the FEC is enabled or not).

The symbol duration used for the MAC and PHY timing parameters are shown in Table 197.

1
2
3
4
5
6
7
8
9
10
11
12
13
14
15
16
17
18
19
20
21
22
23
24
25
26
27
28
29
30
31
32
33
34
35
36
37
38
39
40
41
42
43
44
45
46
47
48
49
50
51
52
53
54

Table 196—Alternate 100 kHz channels*

Frequency band (MHz)	Parameter	37.5 kbps	25 kbps	12.5 kbps
433 (Europe, US)	End device to coordinator	GFSK/P-GFSK	GFSK/P-GFSK	GFSK/P-GFSK
	Coordinator to end device	FSK/P-FSK	FSK/P-FSK	FSK
	Modulation index	0.5	1.0	2.0
	Channel spacing (kHz)	100	100	100
470–510 (China)	End device to coordinator	GFSK/P-GFSK	GFSK/P-GFSK	GFSK/P-GFSK
	Coordinator to end device	FSK/P-FSK	FSK/P-FSK	FSK
	Modulation index	0.5	1.0	2.0
	Channel spacing (kHz)	100	100	100
779–787 (China)	End device to coordinator	GFSK/P-GFSK	GFSK/P-GFSK	GFSK/P-GFSK
	Coordinator to end device	FSK/P-FSK	FSK/P-FSK	FSK
	Modulation index	0.5	1.0	2.0
	Channel spacing (kHz)	100	100	100
863–870 (Europe)	End device to coordinator	GFSK/P-GFSK	GFSK/P-GFSK	GFSK/P-GFSK
	Coordinator to end device	FSK/P-FSK	FSK/P-FSK	FSK
	Modulation index	0.5	1.0	2.0
	Channel spacing (kHz)	100	100	100
902–928 (US ISM)	End device to coordinator	GFSK/P-GFSK	GFSK/P-GFSK	GFSK/P-GFSK
	Coordinator to end device	FSK/P-FSK	FSK/P-FSK	FSK
	Modulation index	0.5	1.0	2.0
	Channel spacing (kHz)	100	100	100

*Data rates shown are over-the-air data rates (the data rate transmitted over the air regardless whether the FEC is enabled or not).

The use of P-FSK/P-GFSK modulation for PSDU data is controlled by the PIB attribute *phyLECMFSKPSDUPositionMod*, as defined in 9.3. The modulation for preamble, SFD, and PHR shall be FSK/GFSK regardless of the value of *phyLECMFSKPSDUPositionMod*.

FSK/GFSK encodes one bit by transmitting a frequency modulated signal $m(t)$ with duration T_s , i.e., $0 \leq t < T_s$. P-FSK/P-GFSK encodes two bits by transmitting a FSK/GFSK modulated signal $m(t)$ with T_s duration in one of two possible positions (also known as time deviation), i.e., $0 \leq t < T_s$ and $T_s \leq t < 2T_s$.

19.2.2.1 Reference modulator diagram

The functional block diagram in Figure 164 is provided as a reference for specifying the FSK PHY data flow processing functions. The subclause number in each block refers to the subclause that describes that function. Each bit shall be processed using the bit order rules defined in 19.2.1.

When FEC is enabled, the PHR and PSDU shall be processed for coding as a single block of data, as described in 19.2.2.4. When data whitening is enabled, the scrambling shall be only applied over the PSDU,

Table 197—LECIM FSK symbol duration used for MAC and PHY timing parameters

Frequency band (MHz)	FSK symbol timing used for MAC and PHY timing parameters (μ s)
169.400–169.475 (Europe)	40
433.050–434.790 (Europe, US)	26.67
470–510 (China)	26.67
779–787 (China)	26.67
863–870 (Europe)	26.67
902–928 (US ISM)	26.67
917–923.5 (Korea)	26.67
920–928 (Japan)	26.67
2400–2483.5 (Worldwide)	26.67

as described in 19.2.3. When spreading is enabled, the spreading shall be applied over the PHR and PSDU, as described in 19.2.2.6.

All fields in the PPDU shall use the same symbol rate and modulation order, unless otherwise specified elsewhere in this standard.

1
2
3
4
5
6
7
8
9
10
11
12
13
14
15
16
17
18
19
20
21
22
23
24
25
26
27
28
29
30
31
32
33
34
35
36
37
38
39
40
41
42
43
44
45
46
47
48
49
50
51
52
53
54

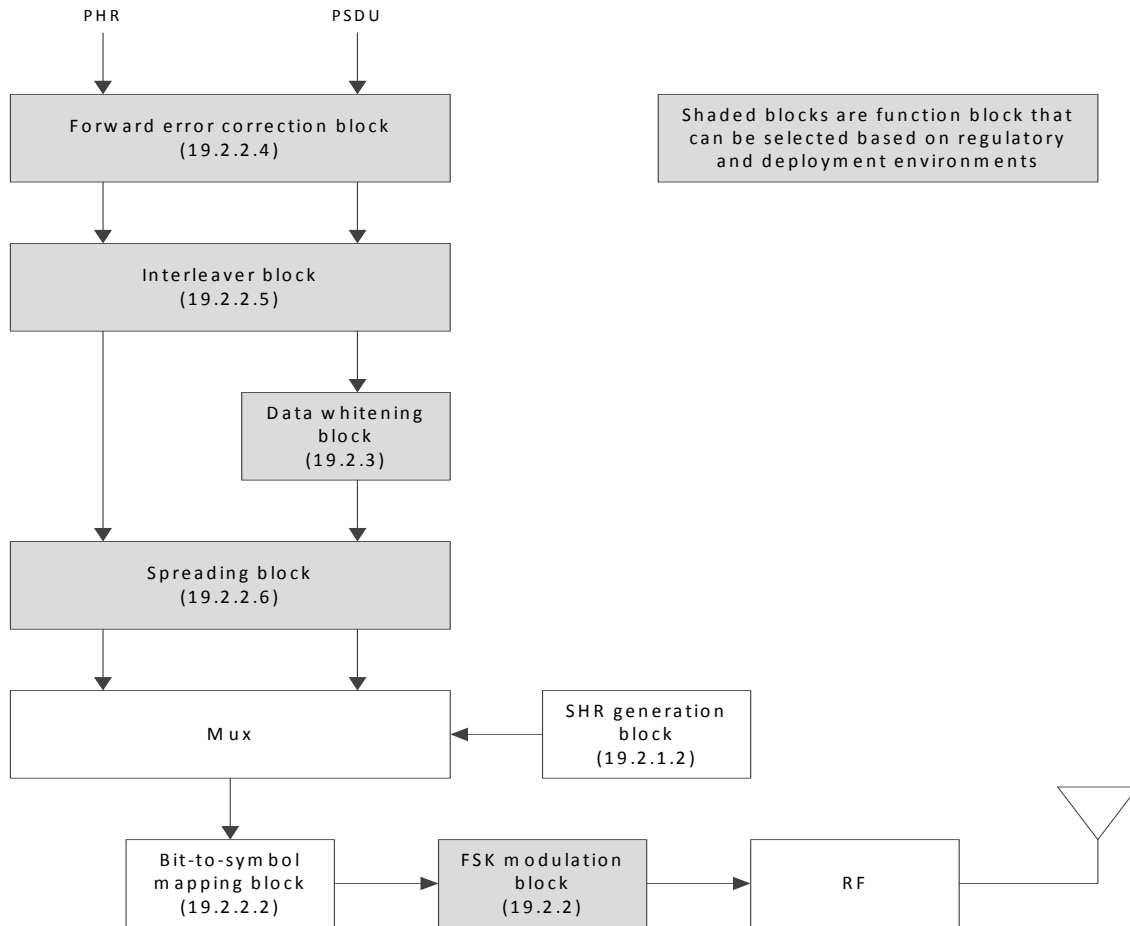


Figure 164—LECIM FSK reference modulator diagram

19.2.2.2 Bit-to-symbol mapping

The nominal frequency deviation, Δf , shall be

$$\frac{(\text{symbol rate} \times \text{modulation index})}{2}$$

The symbol encoding for FSK/GFSK and P-FSK/GFSK modulation is shown in Table 198 and Table 199, respectively, where the maximum frequency deviation, f_{dev} , is equal to Δf .

19.2.2.3 Modulation quality

Modulation quality shall be measured by observing the frequency deviation tolerance and the zero crossing tolerance of the eye diagram caused by a PN9 sequence of length 511 bits.

Table 198—FSK/GFSK symbol encoding

Symbol (b_0)	Frequency deviation	Time deviation
0	$-f_{dev}$	0
1	$+f_{dev}$	0

Table 199—P-FSK/P-GFSK symbol encoding

Symbol (b_0, b_1)	Frequency deviation	Time deviation
00	$-f_{dev}$	0
01	$-f_{dev}$	T_s
10	$+f_{dev}$	0
11	$+f_{dev}$	T_s

19.2.2.3.1 Frequency deviation tolerance

The GFSK modulation frequency tolerance is measured as a percentage of the frequency deviation dictated by the modulation index. The measured frequency deviation shall be $\pm 30\%$ of the ideal frequency deviation, as shown in Figure 109 of 16.1.2.3.1. A binary one shall be represented by a positive frequency deviation, and a binary zero shall be represented by a negative frequency deviation.

The symbol timing shall be less than ± 20 ppm.

19.2.2.3.2 Zero crossing tolerance

The excursions for the zero crossings for all trajectories of the eye diagram shall be constrained as specified in 16.1.2.3.2.

19.2.2.4 Forward error correction

The use of FEC is controlled by the PIB attribute *phyLECIMFECEEnabled*, as defined in 9.3.

When used, FEC shall employ rate 1/2 convolutional coding with constraint length $K = 7$ using the following generator polynomials:

$$G_0(x) = 1 + x^2 + x^3 + x^5 + x^6$$

$$G_1(x) = 1 + x + x^2 + x^3 + x^6$$

The encoder is shown in Figure 165, where \oplus denotes modulo-2 addition.

Prior to the convolutional encoding of the PHR bits, as described in 19.2.1.3, the initial encoder state at $k = 0$ shall be set to:

$$(u_{-1}, u_{-2}, \dots, u_{-6}) = (0, 0, 0, 0, 0, 0)$$

1
2
3
4
5
6
7
8
9
10
11
12
13
14
15
16
17
18
19
20
21
22
23
24
25
26
27
28
29
30
31
32
33
34
35
36
37
38
39
40
41
42
43
44
45
46
47
48
49
50
51
52
53
54

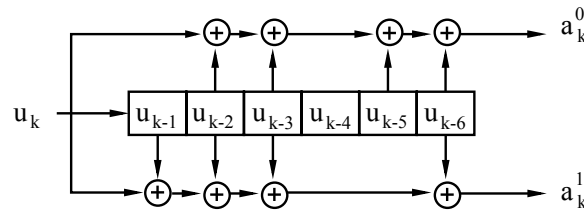


Figure 165—Convolutional encoder

and the sequence of PHR bits shall be extended by a termination sequences of six bits, all zero, as shown in Figure 166.

Prior to the convolutional encoding of the PSDU, the sequence of PSDU bits $b = \{b_0, b_1, \dots, b_{8 \times \text{LENGTH} - 1}\}$, with its length (LENGTH) measured in octets, shall be extended by appending a termination sequence of six bits, all zero, and a sequence of additional bits (pad bits) as shown in Figure 166. The pad bits shall be set to zero and the number of pad bits, N_{PAD} , is computed from the number of blocks, N_B , the total number of uncoded bits, N_D , and the interleaver depth, N_{DEPTH} , as follows:

$$N_B = \text{ceiling}((8 \times \text{LENGTH} + 6) / (N_{\text{DEPTH}} / 2)) \quad (2)$$

$$N_D = N_B \times (N_{\text{DEPTH}} / 2) \quad (3)$$

$$N_{\text{PAD}} = N_D - (8 \times \text{LENGTH} + 6)$$

where the value of $N_{\text{DEPTH}} = N_{\text{PSDU}}$ is given in Table 200. The function $\text{ceiling}(\cdot)$ is a function that returns the smallest integer value greater than or equal to its argument value.



Figure 166—PHR and PSDU extension prior to encoding

The sequence shown in Figure 166 shall be passed to the convolutional encoder. The corresponding output sequence of code-bits, z , shall be generated as follows:

$$z = \{\dots a_k^0, a_k^1, a_{k+1}^0, a_{k+1}^1, a_{k+2}^0, a_{k+2}^1 \dots\} = \{z_0, z_1, \dots, z_{[2N_D + (N_{\text{DEPTH}} - 1)]}\}$$

i. e., a_k^0 is preceding sample a_k^1 . The first sample, z_0 , shall be passed to the interleaver first in time, and the last sample, $z_{[2N_D + (N_{\text{DEPTH}} - 1)]}$, shall be passed to the interleaver last in time. The value of $N_{\text{DEPTH}} = N_{\text{PHR}}$ depends on the length of the PHR (i.e., long or short); both possible values are given in Table 200.

19.2.2.5 Code-symbol interleaving

The use of interleaving is controlled by the PIB attribute *phyLECMFSKInterleavingEnabled*, as defined in 9.3.

Interleaving of PHR code-bits shall be employed and is separated from the interleaving of the PSDU code-bits. Since the PHR bits are terminated, PHR code-bits and PSDU code-bits are independent code blocks.

Interleaving of PSDU code-bits shall be employed in conjunction with PSDU FEC. No PSDU code-bit interleaving shall be employed if PSDU FEC is not used.

The sequence of PHR code-bits consists of a single sequence

$$z^0 = \{z_0^0, \dots, z_{N_{PHR}-1}^0\}$$

of length N_{PHR} ; the value of N_{PHR} depends on the choice of PHR, and both possible values are given in Table 200.

The sequence of PSDU code-bits consists of N_B subsequences

$$z^j = \{z_0^j, \dots, z_{N_{PSDU}-1}^j\} = \{z_{(j-1)N_{PSDU} + N_{PHR}}, \dots, z_{jN_{PSDU} + (N_{PHR}-1)}\} \text{ for } j = 1, \dots, N_B$$

of length N_{PSDU} , with N_B described in Equation (2).

The interleaver is defined by a permutation. The index of the code-bits before the permutation shall be denoted by k , where $k = 0$ refers to the first sample, z_0^j , and $k = N_{DEPTH} - 1$ refers to the last sample, $z_{N_{DEPTH}-1}^j$, passed to the interleaver for a given subsequence z^j . The index i shall be the index after the permutation. The permutation is defined by the rule:

$$i = \frac{N_{DEPTH}}{\lambda} \times ((N_{DEPTH} - 1 - k) \bmod \lambda) + \text{floor}\left(\frac{N_{DEPTH} - 1 - k}{\lambda}\right) \quad k = 0, \dots, N_{DEPTH} - 1$$

where the degree λ is given in Table 200. The function $\text{floor}(\cdot)$ is a function that returns the largest integer value less than or equal to its argument value.

Table 200—Parameters of the interleaver

Field	Degree λ	Depth N_{DEPTH}
PHR short	4	$N_{PHR} = 4 \times 7 = 28$
PHR long	4	$N_{PHR} = 4 \times 11 = 44$
PSDU	6	$N_{PSDU} = 6 \times 12 = 72$

The process of interleaving a subsequence is shown in Figure 167. The first subsequence, z^0 , shall be processed first in time and the last subsequence, z^{N_B} , shall be processed last in time.

The deinterleaver, which performs the inverse relation, is defined by the rule:

$$k = \lambda \times (N_{DEPTH} - 1 - i) - (N_{DEPTH} - 1) \times \text{floor}\left(\frac{\lambda \times (N_{DEPTH} - 1 - i)}{N_{DEPTH}}\right) \quad i = 0, \dots, N_{DEPTH} - 1$$

19.2.2.6 Spreading

The use of spreading is controlled by the PIB attribute *phyLECMFSKSpreading*, as defined in 9.3. The spreading factor (SF) can be 1, 2, 4, 8, or 16. The variable SF is indicated by the PIB attribute *phyLECMFSKSpreadingFactor*, as defined in 9.3.

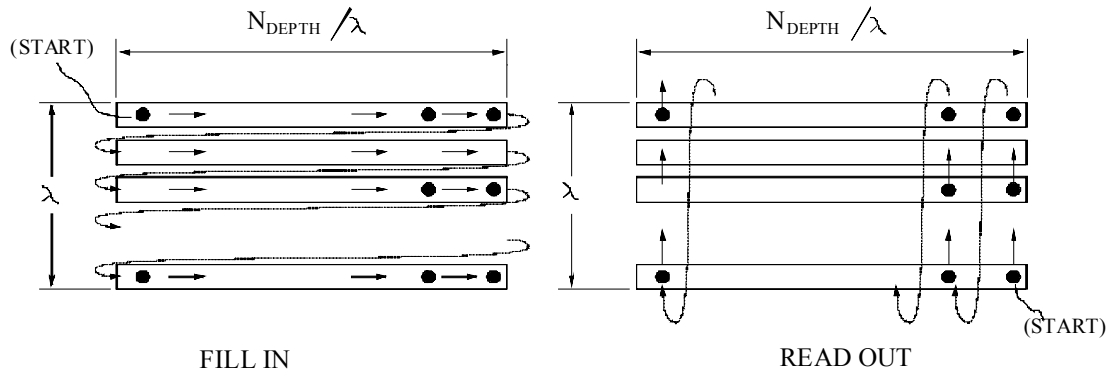


Figure 167—Interleaver

For spreading, a single input bit (b_0) is mapped into the spreading bits ($c_0, c_1, \dots, c_{SF-1}$), as shown in Figure 168, and its mapping is represented in Table 201.

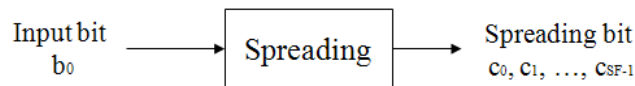


Figure 168—Spreading function

Table 201—Input bit to spreading bits mapping

Spreading factor (SF)	Input bit (b_0) = 0	Input bit (b_0) = 1
1	$(c_0) = 0$	$(c_0) = 1$
2	$(c_0, c_1) = 01$	$(c_0, c_1) = 10$
4	$(c_0, \dots, c_3) = 0101$	$(c_0, \dots, c_3) = 1010$
8	$(c_0, \dots, c_7) = 0101\ 0101$	$(c_0, \dots, c_7) = 1010\ 1010$
16	$(c_0, \dots, c_{15}) = 0101\ 0101\ 0101\ 0101$	$(c_0, \dots, c_{15}) = 1010\ 1010\ 1010\ 1010$

19.2.3 Data whitening for FSK

The FSK PHY may optionally perform data whitening as defined in 16.1.3. The use of data whitening is controlled by the PIB attribute *phyLECIMFSKScramblePSDU*, as defined in 9.3.

1
2
3
4
5
6
7
8
9
10
11
12
13
14
15
16
17
18
19
20
21
22
23
24
25
26
27
28
29
30
31
32
33
34
35
36
37
38
39
40
41
42
43
44
45
46
47
48
49
50
51
52
53
54

19.2.4 FSK PHY RF requirements

19.2.4.1 Operating frequency range

The FSK PHY operates in the bands given in Table 195.

19.2.4.2 Regulatory compliance

It is the responsibility of the implementer to verify and ensure that the device is in compliance with all regulatory requirements in the geographic region where the device is deployed or sold. Conformance with this standard does not guarantee compliance with the relevant regulatory requirements which may apply.

19.2.4.3 Radio frequency tolerance

The single-sided clock frequency tolerance T at the transmitter, in ppm, shall be as follows:

$$T = 20 \text{ ppm}$$

19.2.4.4 Channel switch time

Channel switch time shall be less than or equal to 500 μs . The channel switch time is defined as the time elapsed when changing to a new channel, including any required settling time.

19.2.4.5 Transmit spectral mask

Implementers are responsible to assure that the transmit spectral content conforms to all local regulations.

19.2.4.6 Receiver sensitivity

Under the conditions specified in 8.1.7, a compliant device shall be capable of achieving a sensitivity of $(P_{tx} - 120)$, where P_{tx} is the maximum transmit power permitted by regulatory requirements in the band of operation, in units of dBm.

19.2.4.7 Receiver interference rejection

The minimum receiver interference rejection levels are given in Table 202. The adjacent channels are the ones on either side of the desired channel that are closest in frequency to the desired channel, and the alternate channels are one more removed from the adjacent channels. For example, when channel 15 is the desired channel, channel 14 and channel 16 are the adjacent channels, and channel 13 and channel 17 are the alternate channels.

Table 202—Minimum receiver interference rejection requirements

Adjacent channel rejection	Alternate channel rejection
10 dB	30 dB

The adjacent channel rejection shall be measured as follows. The desired signal shall be a compliant GFSK/FSK PHY signal, as defined by 19.2.2, of pseudo-random data. The desired signal is input to the receiver at a level 3 dB greater than the maximum allowed receiver sensitivity given in 19.2.4.6.

1 In either the adjacent or the alternate channel, a compliant signal, as defined by 19.2.2, is input at the level
2 specified in Table 202 relative to the desired signal. The test shall be performed for only one interfering
3 signal at a time. The receiver shall meet the error rate criteria defined in 8.1.7 under these conditions.
4

5 **19.2.4.8 Tx-to-Rx turnaround time**

6
7 The FSK PHY shall meet the requirements for TX-to-RX turnaround time as defined in 8.2.1.
8

9 **19.2.4.9 Rx-to-Tx turnaround time**

10
11 The FSK PHY shall meet the requirements for RX-to-TX turnaround time as defined in 8.2.2.
12

13 **19.2.4.10 Transmit power**

14
15 A transmitter shall be capable of transmitting at least -3 dBm. The maximum transmit power is limited by
16 local regulatory bodies.
17
18
19
20
21
22
23
24
25
26
27
28
29
30
31
32
33
34
35
36
37
38
39
40
41
42
43
44
45
46
47
48
49
50
51
52
53
54

Insert after Annex O the following new annex (Annex P):

Annex P

(informative)

Low Energy, Critical Infrastructure Monitoring Systems

P.1 Introduction

As per Wikipedia (http://en.wikipedia.org/wiki/Critical_infrastructure): Critical infrastructure is a term used by governments to describe assets that are essential for the functioning of a society and economy. Most commonly associated with the term are facilities for:

- Electricity generation, transmission, and distribution
- Gas production, transport, and distribution
- Oil and oil products production, transport, and distribution
- Telecommunication
- Water supply (e.g., drinking water, waste water/sewage, stemming of surface water [e.g., dikes and sluices])
- Agriculture, food production, and distribution
- Heating (e.g., natural gas, fuel oil, district heating)
- Public health (e.g., hospitals, ambulances)
- Transportation systems (e.g., fuel supply, railway network, airports, harbors, inland shipping)
- Financial services (e.g., banking, clearing)
- Security services (e.g., police, military)

P.1.1 LECIM characteristics

The LECIM portions of this standard form the MAC and PHY behaviors that implement a minimal network infrastructure, enables the collection of scheduled and event data from a large number of non-mains powered end points that are widely dispersed, or are in challenging propagation environments. To facilitate low energy operation necessary for multi-year battery life, MAC protocols minimize network maintenance traffic and device wake durations. In addition, LECIM addresses the changing propagation and interference environments encountered over many years.

The following is a list of LECIM characteristics and the underlying behaviors that form them:

- a) Minimal infrastructure
 - Star topology, i.e., no repeaters are typically needed due long range.
 - Mains energy supply is only necessary for coordinator.
- b) Commissioned network (not ad hoc)
 - Devices are configured specifically for the deployed network.
 - Devices are stateful, i.e., they are preconfigured with parameters that eliminate the need for wireless messages sending configuration information.
- c) Long range
 - High receiver sensitivity, e.g., narrow bandwidth or high processing gain.

- 1 — Interference robustness.
- 2 — Challenging environments and widely dispersed devices.
- 3
- 4 d) Very limited energy supplied endpoints
- 5 — Ten to twenty year life with no maintenance, e.g., original battery must supply all energy for
- 6 20 years.
- 7 — Energy harvesting with low power supplies, i.e., short and infrequent transmission and
- 8 reception durations.
- 9
- 10 e) Significant difference between coordinator and endpoints
- 11 — Does not preclude distributed systems.
- 12
- 13 f) Asymmetrical data flows
- 14 — Sensor end point: up-link dominates data flow with limited down-link data needs.
- 15 — Actuator end point: down-link dominates data flow with limited up-link data needs.

16 The following MAC enhancements are included to support the LECIM PHYs defined in Clause 19:

- 17 — Low energy extension of the coverage of a star network
- 18 — Enhanced timing and synchronization capabilities to support synchronous and asynchronous
- 19 channel access in both beacon-enabled and nonbeacon-enabled operation
- 20
- 21 — Enhanced low energy mechanisms
- 22
- 23 — MAC protocol data unit (MPDU) fragmentation to support extremely low data rates and limited
- 24 PHY service data unit (PSDU) sizes
- 25 — Priority channel access
- 26 — MAC sublayer management entity (MLME) service access point (SAP) (known as MLME-SAP)
- 27 and PAN information base (PIB) extensions for PHY control and configuration
- 28
- 29

30 **P.1.2 Use case examples**

31 The following use cases exemplify LECIM applications.

32 **P.1.2.1 Oil and gas pipeline monitoring**

33 The key drivers of pipeline monitoring are as follows:

- 34 — Environmental protection
- 35 — Reliability (critical resources)
- 36 — Cost savings (increasing cost)
- 37 — Compliance (regulators)

38 **P.1.2.2 Water leak detection**

39 The key drivers of water leak detection are as follows:

- 40 — Permanent installation of large number of sensors underground
- 41 — Long range and ability to penetrate underground vaults
- 42 — Battery operated and long lifetime
- 43 — Small data messages once per day and in case of alarm event (e.g., leak detected)
- 44 — Low installation cost (easy deployment) and low cost of maintenance

45 **P.1.2.3 Soil monitoring**

The key drivers of soil monitoring are as follows:

- Power consumption
 - Low-cost batteries that last over many years
- Networking
 - Long range links to cover large fields
 - Ability to use mesh or tree networking for complicated environment
 - Ability to connecting WPAN with mobile networks
- Reliability and cost
 - Very low maintenance requirements

P.1.2.4 Inventory control - event driven with query

The application is for a warehouse floor with thousands of parts bins. Each bin has a battery operated RF link for communicating current quantity and changes in quantity to the central inventory control (CIC) system. Battery life is important.

Each bin contains only one part number. The RF link has an LCD display showing the quantity in the bin. It also has an “Increase Button” and a “Decrease Button.” When an operator adds units to the bin, he presses the Increase Button, and when parts are removed, he presses the Decrease Button. Each time a button is pressed, it generates an event to the RF module, which then transmits the change to the CIC. This would most likely use a contention access method for transmission, since events occur in an unscheduled manner.

The CIC receives events from all of the bins, as changes are made to the quantity contained in each bin. Both the local RF module and the CIC maintain the quantity in the bin.

For inventory auditing, it is necessary for the CIC to query each bin to check the quantity. This requires the CIC to initiate a transaction with each bin, either individually or as a broadcast/multicast message. The desire is to have all bins report within a reasonable time (minutes).

Also, since changes in quantity are event driven, the CIC need a means to query each bin to make sure that it is still operational and that no “change in quantity” events were missed.

To minimize battery drain, the LECIM device is only activated when necessary:

- A change in quantity as indicated by a button event
- Some type of synchronous sniff/query operation for receiving to queries from CIC
- Response to query messages

P.1.2.5 Building monitoring - time and event driven data with query

A building (or any structure) is being monitored by sensors that report measurement or state information over long periods, e.g., several minutes to several hours. There may also be sensors that report events or changes in state that are event driven and not time driven. Battery life is important.

Each measurement sensor is set to report its information at a certain interval, using either a GTS or the CAP. This gives very low duty cycle for normal operation, which is 99% of the usage. There may also be sensors that are event driven which report change in state, such as door open/closed, door locked/unlocked, switch on/off, etc. This is also low duty cycle.

Occasionally there is an event, maybe an emergency, where the central monitoring system must get readings from all sensors as soon as possible. The central controller must send a request to all sensors to report their

1 current measurement or state. This requires a low latency response mechanism that can maintain long
2 battery life.

3 4 **P.1.3 LECIM behaviors**

5
6
7 The following assumptions and precepts are essential to address the needs of LECIM applications:

- 8 — Commissioning
- 9 — Low energy
- 10 — Coverage extension
- 11
- 12

13 **P.1.3.1 Commissioning**

14
15 Commissioning by a professional installer allows the network to reduce the amount of data that must be sent
16 by creating statefulness. The commissioning parameters are not expected to change over the duration of the
17 network.

18 **P.1.3.2 Low energy**

19
20 LECIM applications require significantly low energy operation to be able to either last 20 years on original
21 battery supply or energy harvesting mechanisms. Achieving low energy operation is made very difficult
22 given the low data rates necessary for long range operation. Accordingly, LECIM networks must be able to
23 elide any overhead octets not absolutely necessary to minimize transmit and receive durations, schedule link
24 times to minimize device “on” durations, and maximize link reliability to minimize retransmissions.

25 **P.1.3.3 Coverage extension**

26
27 To keep infrastructure costs to a minimum, LECIM devices have large link margins to achieve long ranges
28 without requiring mesh devices or repeater devices. Requiring mesh or repeater devices would increase the
29 number of devices needed to sustain the network, increase costs by requiring renting or leasing space for
30 those devices, and in most cases require mains power for these devices.

31 **P.2 Functionality added: DSSS, FSK, fragmentation, frame priority, PIBs, 32 IEs, attributes**

33 **P.2.1 DSSS**

34
35 The DSSS devices used by LECIM networks differ from the other DSSS devices defined in this standard in
36 that they have significant process gain to allow devices to receive messages with very low or negative carrier
37 to noise ratios. High process gain also allows for code division multiple access (CDMA) operation to reduce
38 the possibility of collisions.

39 **P.2.2 FSK**

40
41 The FSK devices for LECIM are typically narrow bandwidth (hence low data rate) devices that enable high
42 sensitivities and many channels in order to reduce the possibility of collisions.

43 **P.2.3 Fragmentation**

The lower effective data rates resulting from high processing gain or narrow bandwidths dramatically decrease data rate, hence an increase in the bit times. The increase in bit times would make typical IEEE 802.15.4 frames so long in duration as to decrease their reliability and degrade coexistence. To keep each transmission duration sufficiently short, a method of fragmentation at the PHY/MAC level is required. The properties of this fragmentation method are to reduce all overhead to the minimum amount, by preconfiguring the link between two devices with the information necessary for reception and proper reassembly. This preconfiguration is done in order to eliminate the need to send this information in every packet.

P.2.4 Frame priority

Frame priority allows LECIM networks to exhibit low latencies for truly critical data messages versus those latencies for link maintenance or other lower priority messages. To ensure frame priority functionality, the MAC PIB attribute *aMinCAPLength* must be set long enough to accommodate the priority channel access slots. Frame priority is established by two means: priority channel access slots, described in 5.1.1.1, and an alternate backoff mechanism, described in 5.1.1.4.5 and 5.1.1.4.6. Both mechanisms are used during contention access. The former, however, is only used when operating in beacon-enabled mode. The priority channel access slots are included in the beginning of every CAP of a superframe or multi-superframe. The slots are only usable for critical data messages, but the critical data messages do have to compete with each other for access to the channel.

The alternate backoff mechanism is used whenever contention access is applied. It operates slightly differently based on whether the CCA Mode 4 (ALOHA) is used or not. In CCA Mode 4 (ALOHA), whenever a critical data message experiences a *macAckWaitDuration* timeout, the transmitting device randomly draws a retransmission schedule from a non-increasing backoff window:

$$(2^{[0, macLECIMALohaBE]} - 1) \times macLECIMALohaBackoffSlot \text{ symbols}$$

where the PIB attribute *macLECIMALohaBE* is a constant.

When CCA Mode 4 (ALOHA) is not used, critical data messages use a fixed BE defined in 5.1.1.4.5, implying that the backoff window does not increase during retransmission attempts. In addition, the transmitting device remains in persistent mode, where the device continues to listen to the channel even in the case when the CCA returns a busy channel indication. The backoff counter, initialized randomly from the pool $(2^{[0, BE]} - 1)$, is decremented by one in every *aUnitBackoffPeriod* where the CCA returns an idle channel indication.

P.2.5 PIB attributes

LECIM mechanisms and protocols require additional PIB attributes.