

Project: IEEE P802.15 Working Group for Wireless Personal Area Networks (WPANs)

Submission Title: CSK related Comment Resolution Input Summary

Date Submitted: 17. May 2010

Source: [Jaeseung Son, Taehan Bae, Sridhar Rajagopal, Atsuya Yokoi, E.T. Won]

Contact:

Voice:

E-Mail: js1007.son@samsung.com

Re:

Abstract:

Purpose: addresses comments pending on input from Samsung for comment resolution

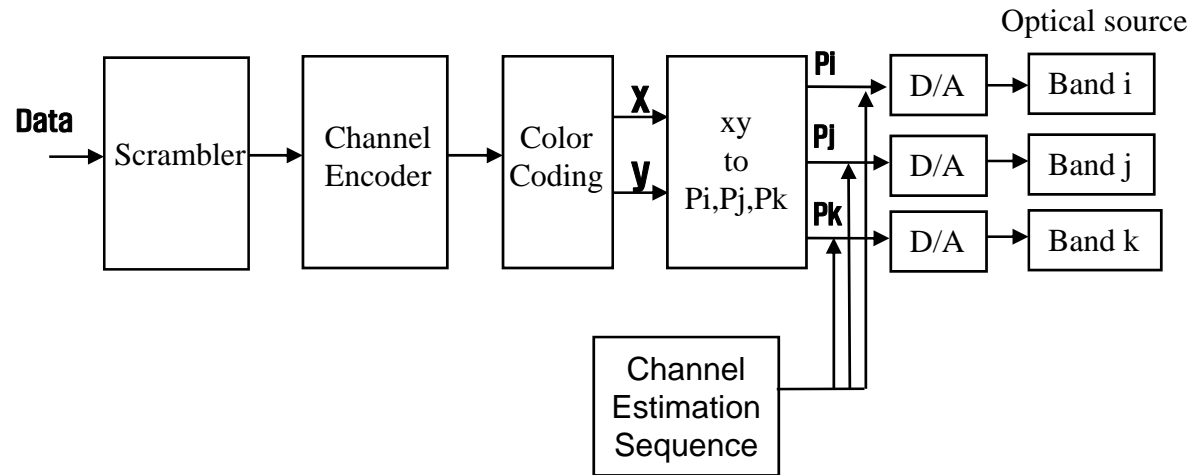
Notice: This document has been prepared to assist the IEEE P802.15. It is offered as a basis for discussion and is not binding on the contributing individual(s) or organization(s). The material in this document is subject to change in form and content after further study. The contributor(s) reserve(s) the right to add, amend or withdraw material contained herein.

Release: The contributor acknowledges and accepts that this contribution becomes the property of IEEE and may be made publicly available by P802.15.

Samsung response about CSK comment

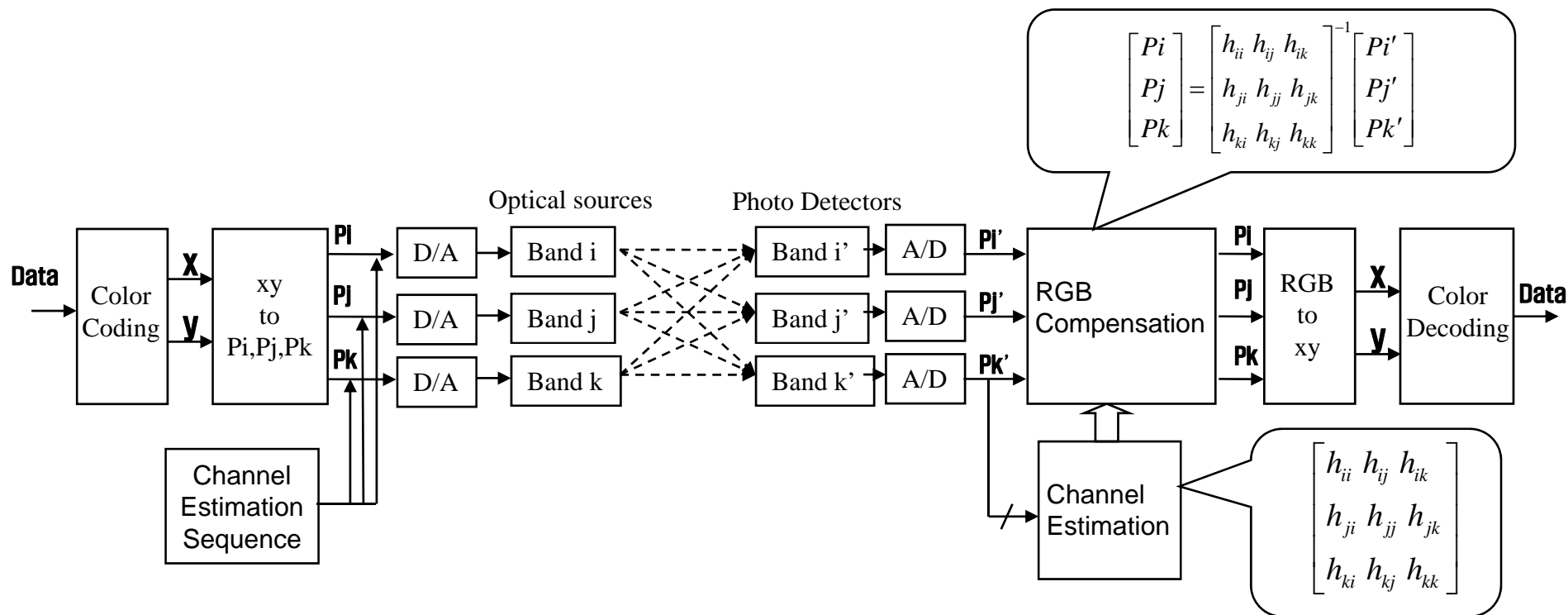
17. May 2010

CID 399



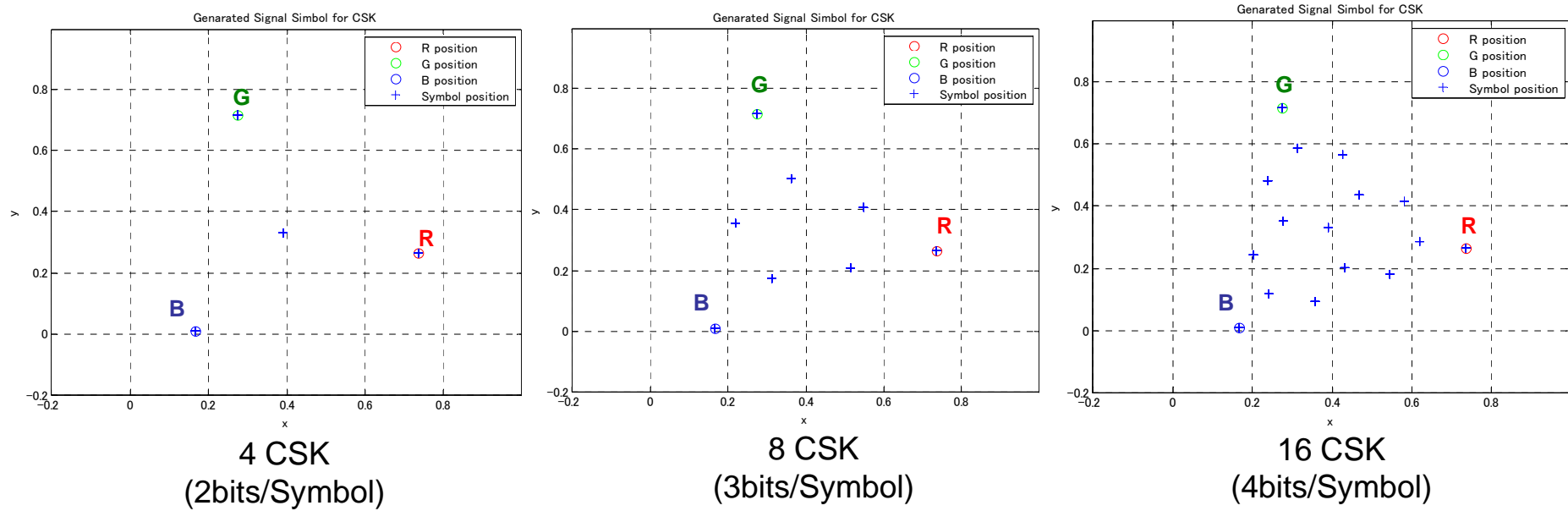
- Figure 40 – CSK system

CID 404, 405



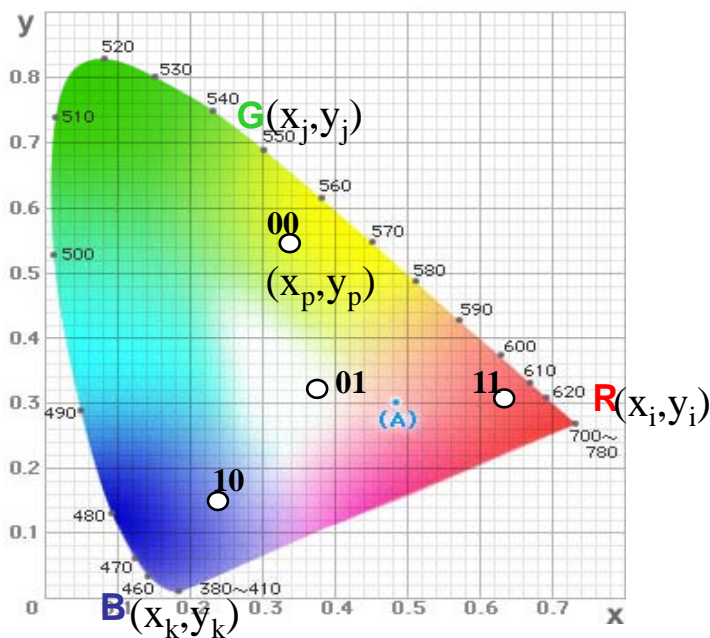
- Figure 44 – Color Calibration

CID 873



- Figure 39 – Color constellations for CSK

CID 879



$$x_p = P_i \cdot x_i + P_j \cdot x_j + P_k \cdot x_k$$

$$y_p = P_i \cdot y_i + P_j \cdot y_j + P_k \cdot y_k$$

$$P_i + P_j + P_k = 1$$

- Figure 41 – CIE 1931 xy color coordinates