

**Project: IEEE P802.15 Study Group for Wireless Personal Area Networks (WPANs)**

- Submission Title:** PSSS proposal – Parallel reuse of 2.4 GHz PHY for the sub-1-GHz bands
- Date Submitted:** 21th April 2005
- Source:** Andreas Wolf, DWA Wireless GmbH and Hans van Leeuwen, Integration  
**DWA Wireless GmbH, Germany**  
Tel.: +49 (0)700 965 32 637 [aw@dw-a.com](mailto:aw@dw-a.com)
- Integration, USA**  
Tel: +1 858 344 5120 [hvl@highstream.net](mailto:hvl@highstream.net)
- Re:** PSSS mode for more even chiprates, simpler filter, and 250 kbit/s in 868 MHz and new less complex preamble.
- Abstract:** Ballot comments received indicated interest in the TG4b task group to modify the PSSS mode for 868 MHz to have the same 250 kbit/s bitrate as the 2.4 GHz and the PSSS 915 Mhz modes. Offering also simpler preamble.
- Purpose:** Response to ballot comments to discuss potential modification of PSSS draft specification
- Notice:** This document has been prepared to assist the IEEE P802.15. It is offered as a basis for discussion and is not binding on the contributing individual(s) or organization(s). The material in this document is subject to change in form and content after further study. The contributor(s) reserve(s) the right to add, amend or withdraw material contained herein.
- Release:** The contributor acknowledges and accepts that this contribution becomes the property of IEEE and may be made publicly available by P802.15.

# Highlights of Proposed Changes

- PSSS 250-400
  - Increases data rate from 200 kbps to 250kps
  - Reduces chip rate from 440 kcps to 400 kcps
  - Increases number of sequences from 15 to 20
  - Changes shift between sequences from 4 sub-chips to 3 sub-chips
  - Reduces pulse shaping filter requirement
  
- New preamble
  - Uses PSSS code 0 instead of Barker sequence
    - Allows reuse of HW for sync.
  - 32 chip vs Barker seq. length of 26
  - Repeated 8 times as in 2.4GHz PHY
  
- New SFD
  - Uses code 0 inverted one time
    - Allows reuse of HW for detection

# Discussion: 250 kbit/s PSSS for 868 MHz

## Key Considerations

- Comments indicated interest in the TG4b task group to provide 250 kbit/s for bot 868 and 915 MHz
  - Marketing benefit of having homogenous bit rate in all bands
- Discussion of implementation complexity due to uneven chip rates
  - Clarifications from chip vendors have shown that 440 kcps is not truly a concern – will not increase implementation size
  - Simply changing to 400 kcps rate in current PSSS specification is not attractive due to bitrate < 200 kbit/s (OEM concern)
  - Modification of PSSS mode to 400 kcps rate at 250 kbit/s possible
- Modified PSSS mode for 250 kbit/s in 868 MHz will even decrease filter complexity
  - Implementation complexity on Tx side<sup>1</sup> (of both COBI and PSSS) is clearly driven by compliance to ETSI PSD mask in 868 MHz

1: Key driver for implementation complexity on Rx side is need to withstand interference (dynamic range, linearity of Rx frontend)

The PSSS mode for 868 MHz could be modified to 250 kbit/s while even *decreasing* implementation complexity

	<b>PSSS 206-440<sup>1</sup> 868 Mhz</b>	<b>PSSS 250-400<sup>1</sup> 868 Mhz</b>	<b>PSSS 250-1600 915 MHz</b>
Bandwidth	600 kHz	600 kHz	2,400 kHz <sup>2</sup>
Chiprate	440 cps	400 cps	1,6000 cps <sup>2</sup>
Bitrate	206 kit/s	250 kit/s	250 kbit/s
Spectral efficiency <sup>3</sup>	15/32 bit/s/Hz	20/32 bit/s/Hz	5/32 bit/s/Hz
Spreading	15x 32-chip seq.	20x 32-chip seq.	5x 32-chip seq.
RF backward compatibility	Single BPSK / ASK radio	Single BPSK / ASK radio	Single BPSK/ASK radio
<i>Comments</i>	<i>Original PSSS mode</i>	<i>Enhanced original PSSS mode</i>	

- 1: Changed names of modes to be consistent <bit rate>"-"<chip rate>
- 2: Complies to 915 MHz PSD mask specified in IEEE802.15.4-2003  
 $|f-f_c| > 1.2 \text{ Mhz}$ : Relative limit -20 dB; Absolute limit -20 dBm
- 2: Coding level

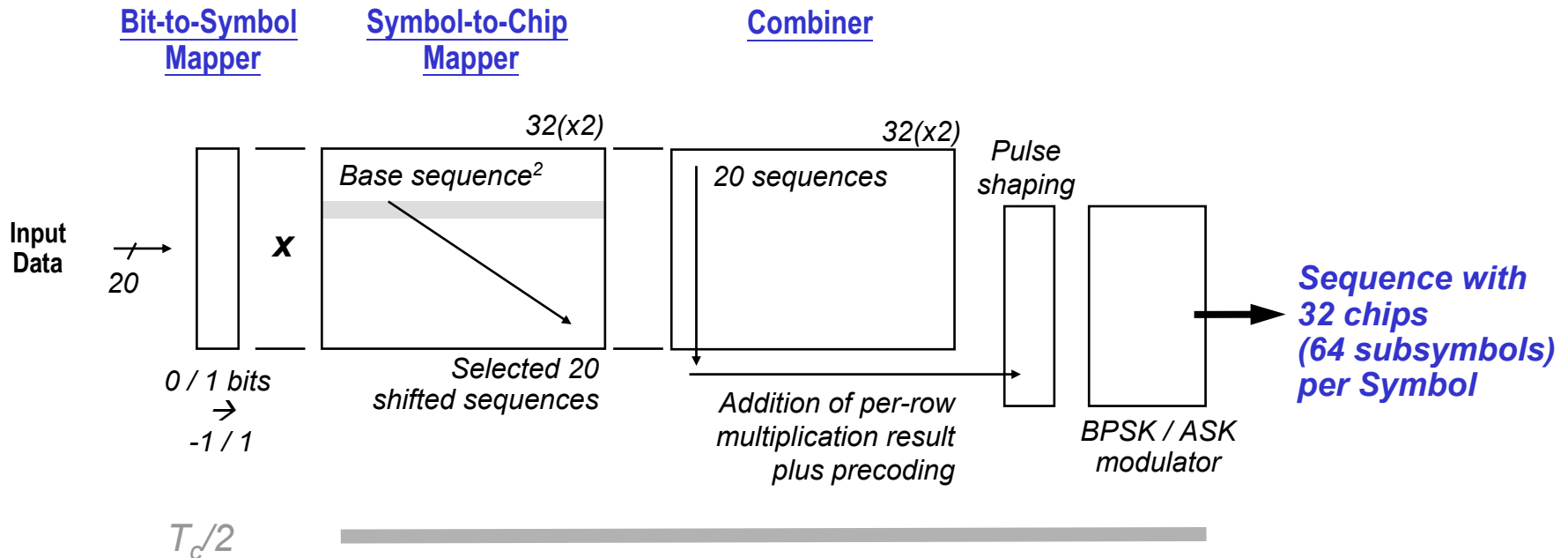
## PSSS 250-400 868 MHz Coding Table:

Shifting of sequences by 3 instead of 4 subchips  
enables addition of sequences to achieve 250 kbit/s and 400 kcps

Sequence number	Chip number																																																														
0	-	-1	-1	-1	1	-1	-1	1	-1	1	1	-1	-1	1	1	1	1	1	1	-1	-1	-1	1	1	-1	1	1	1	-1	1	-1	1	-1	1	-1	1	-1																										
1	-1	1	-1	-1	-1	-1	1	-1	-1	1	-1	1	1	-1	-1	1	1	1	1	1	1	-1	-1	-1	1	1	-1	1	1	1	1	1	-1	1	-1	1	-1	1																									
2	-	-1	1	-1	-1	-1	-1	1	-1	-1	1	-1	1	1	-1	-1	1	1	1	1	1	-1	-1	-1	1	1	-1	1	1	-1	1	1	1	1	1	-1	1	1																									
3	1	-1	1	-1	1	-1	-1	-1	-1	1	-1	-1	1	-1	1	1	-1	-1	1	1	1	1	1	1	-1	-1	-1	1	1	-1	1	1	-1	1	1	1	1	-1																									
4	-	1	-1	1	-1	1	-1	-1	-1	-1	1	-1	-1	1	-1	1	1	-1	-1	1	1	1	1	1	1	-1	-1	-1	1	1	1	1	1	1	1	-1	1	1																									
5	-1	1	1	1	-1	1	-1	1	-1	-1	-1	-1	1	-1	-1	1	-1	1	1	-1	-1	1	1	1	1	1	1	1	-1	-1	-1	1	1	-1	-1	1	1	-1	1																								
6	-	-1	1	1	1	-1	1	-1	1	-1	-1	-1	-1	1	-1	-1	1	-1	1	1	-1	-1	1	1	1	1	1	1	1	1	1	1	-1	-1	-1	1	1	1																									
7	-1	1	1	-1	1	1	1	-1	1	-1	1	-1	-1	-1	-1	1	-1	-1	1	-1	1	1	-1	-1	1	1	1	1	1	1	1	1	1	1	1	1	-1	-1	-1	1																							
8	-	-1	1	1	-1	1	1	1	-1	1	-1	1	-1	-1	-1	-1	1	-1	-1	1	-1	1	-1	1	1	-1	-1	1	1	1	1	1	1	1	1	1	1	1	-1	-1																							
9	1	-1	-1	-1	1	1	-1	1	1	1	-1	1	-1	1	-1	-1	-1	-1	1	-1	-1	1	-1	1	1	-1	-1	1	1	-1	-1	1	1	1	1	1	1	1	-1																								
10	-	1	-1	-1	-1	1	1	-1	1	1	1	-1	1	-1	1	-1	-1	-1	-1	1	-1	-1	1	-1	1	1	1	-1	-1	1	1	1	-1	-1	1	1	1	1	1																								
11	1	1	1	1	-1	-1	-1	1	1	-1	1	1	1	-1	1	-1	1	-1	-1	-1	-1	1	-1	-1	1	-1	-1	1	-1	1	1	-1	-1	1	1	-1	-1	1	1																								
12	-	1	1	1	1	-1	-1	-1	1	1	-1	1	1	1	-1	1	-1	1	-1	1	-1	-1	-1	1	-1	-1	1	-1	-1	1	1	1	-1	1	1	1	-1	-1	1																								
13	-1	-1	1	1	1	1	1	-1	-1	-1	1	1	-1	1	1	1	-1	1	-1	1	-1	-1	-1	-1	-1	1	-1	-1	1	-1	-1	1	-1	-1	1	-1	1	1	-1	-1																							
14	-	-1	-1	1	1	1	1	1	-1	-1	-1	1	1	-1	1	1	1	1	-1	1	-1	1	-1	-1	-1	-1	1	-1	-1	-1	1	-1	-1	1	-1	-1	1	-1	1	1																							
15	-1	1	1	-1	-1	1	1	1	1	1	-1	-1	-1	1	1	-1	1	1	1	-1	1	-1	1	-1	1	-1	-1	-1	-1	-1	-1	1	-1	-1	1	-1	-1	1	-1	1																							
16	-	-1	1	1	-1	-1	1	1	1	1	1	-1	-1	-1	1	1	-1	1	1	1	1	-1	1	-1	1	-1	-1	-1	-1	-1	-1	1	-1	-1	-1	-1	1	-1	-1	1																							
17	-1	-1	1	-1	1	1	-1	-1	1	1	1	1	1	-1	-1	-1	1	1	-1	1	1	1	1	-1	1	-1	1	-1	1	-1	1	-1	-1	-1	-1	-1	-1	-1	1	-1	-1																						
18	-	-1	-1	1	-1	1	1	-1	-1	1	1	1	1	1	1	-1	-1	-1	1	1	-1	1	1	1	1	-1	1	-1	1	-1	1	-1	-1	-1	-1	-1	-1	-1	1	1																							
19	-1	-1	1	-1	-1	1	-1	1	1	-1	-1	1	1	1	1	1	-1	-1	-1	1	1	1	1	1	-1	1	1	1	1	-1	1	-1	1	-1	1	-1	1	-1	-1	-1	-1																						
	2	3	4	5	6	7	8	9	10	11	12	13	14	15	16	17	18	19	20	21	22	23	24	25	26	27	28	29	30	31	32	33	34	35	36	37	38	39	40	41	42	43	44	45	46	47	48	49	50	51	52	53	54	55	56	57	58	59	60	61	62	63	64
	<b>Subchip number</b>																																																														

- *2 sub-chips per chip – basic chip rate of coding scheme is unchanged*
- *Addition per sub-chip for multivalue encoding – no other changes of PSSS model*

## No modification of the basic PSSS model: PSSS 250-400 868 MHz – BPSK/ASK (20/32 bit/s/Hz)



- **No increase of Tx complexity in real-world implementation –**
  - **Oversampling used for baseband filtering to achieve PSD compliance anyhow**
  - **No change in number of chips per symbol – no increase in coding table sizes**
- **Simpler baseband filter sufficient due to lower chiprate, see PSD at Appendix.**
- **No change in Rx processing required**
- **Similar performance, see Appendix.**

## Signal Flow

- The preamble (eight times repeated  $c_0$ ) and the SFD (one time inverted  $c_0$ ), are BPSK modulated.
- The Phy header and PHY payload are PSSS encoded and ASK modulated.
- Both signals have same chip duration and passes same pulse shaping.

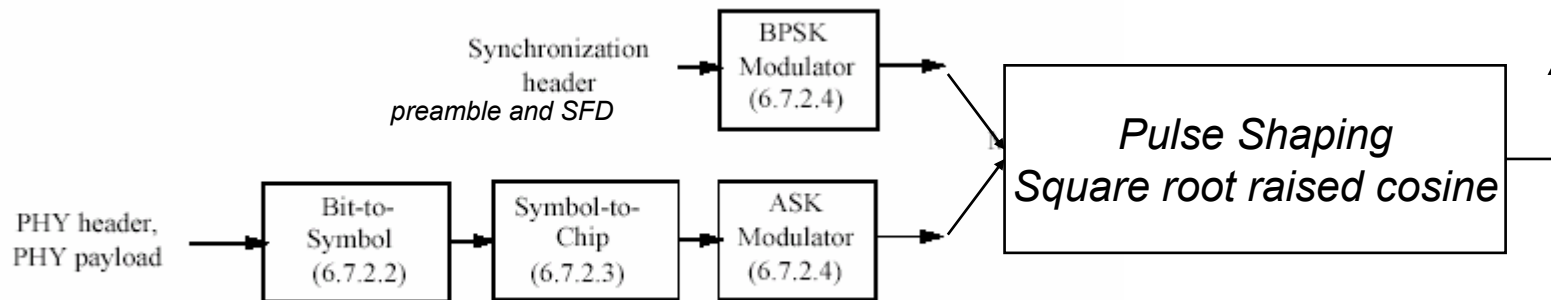


Figure 22—Modulation and spreading functions

# PSSS Codes form Coding Table in Draft Standard for Preamble

- We propose to use Sequence 0 =  $c_0$ , 8 times repeated, instead of the barker code.
- Preamble will then be more similar to the other Phys.
- Preamble length will we multiple of symbol duration.

**Table 27—PSSS Code table used in Symbol-to-Chip mapping for 868 MHz**

Sequence number	Chip number $c_0$																																	
	0	1	2	3	4	5	6	7	8	9	10	11	12	13	14	15	16	17	18	19	20	21	22	23	24	25	26	27	28	29	30	31		
0	-1	-1	-1	-1	1	-1	-1	1	-1	1	1	-1	-1	1	1	1	1	1	-1	-1	-1	1	1	-1	1	1	1	-1	1	-1	1	-1	1	-1
1	-1	1	-1	-1	-1	-1	1	-1	-1	1	-1	1	1	-1	-1	1	1	1	1	-1	-1	-1	1	1	-1	1	1	1	1	-1	1	-1	1	-1
2	-1	1	-1	1	-1	-1	-1	-1	1	-1	-1	1	-1	1	1	-1	-1	1	1	1	1	-1	-1	-1	1	1	-1	1	1	1	1	1	-1	-1
3	1	1	-1	1	-1	1	-1	-1	-1	-1	1	-1	-1	1	-1	1	1	-1	-1	1	1	1	1	1	-1	-1	-1	1	1	-1	1	1	-1	1
4	-1	1	1	1	-1	1	-1	1	-1	-1	-1	-1	1	-1	-1	1	-1	1	1	-1	-1	1	1	1	1	1	1	-1	-1	-1	1	1	1	-1
5	1	1	-1	1	1	1	-1	1	-1	1	-1	-1	-1	-1	1	-1	-1	1	-1	1	1	-1	-1	1	1	1	1	1	1	1	-1	-1	-1	1
6	-1	-1	1	1	-1	1	1	1	-1	1	-1	1	-1	-1	-1	-1	1	-1	-1	1	-1	1	1	-1	-1	1	1	1	1	1	1	1	-1	-1
7	1	-1	-1	-1	1	1	-1	1	1	1	-1	1	-1	1	-1	-1	-1	-1	1	-1	-1	1	-1	1	1	-1	-1	1	1	1	1	1	1	1
8	1	1	1	-1	-1	-1	1	1	-1	1	1	1	-1	1	-1	1	-1	-1	-1	1	-1	-1	1	-1	-1	1	1	1	-1	-1	1	1	1	1
9	1	1	1	1	1	-1	-1	-1	1	1	-1	1	1	1	-1	1	-1	1	-1	-1	-1	-1	1	-1	-1	1	-1	1	-1	1	1	-1	-1	1
10	-1	-1	1	1	1	1	1	-1	-1	-1	1	1	-1	1	1	1	-1	1	-1	1	-1	-1	-1	-1	1	-1	-1	-1	1	-1	1	-1	1	-1
11	1	1	-1	-1	1	1	1	1	1	-1	-1	-1	1	1	-1	1	1	1	-1	1	-1	1	-1	-1	-1	-1	-1	1	-1	-1	1	-1	-1	1
12	1	-1	1	1	-1	-1	1	1	1	1	1	-1	-1	-1	1	1	-1	1	1	1	-1	1	-1	1	-1	-1	-1	-1	-1	1	-1	-1	1	-1
13	-1	-1	1	-1	1	1	-1	-1	1	1	1	1	1	1	-1	-1	1	1	-1	1	1	1	1	-1	-1	1	-1	1	-1	-1	-1	-1	1	-1
14	-1	1	-1	-1	1	-1	1	1	-1	-1	1	1	1	1	1	-1	-1	-1	1	1	-1	1	1	1	1	-1	1	-1	1	-1	-1	-1	-1	-1



## Comparision Actual/New Proposed Preamble Length of Proposed Preamble

	Barker Code	Sequence 0
DC free	<b>yes</b>	<b>yes</b>
32 Chip long	<b>no</b>	<b>yes</b>
# of needed FIR in Rx	<b>2</b>	<b>1</b>

- The Sequence 0 is repeated 8 times for having similar definition like for i.e. 2.4 GHz Phy.

	Code length	# of codes	# of repeating	preamble # of chips
Barker Code	<b>13</b>	<b>2</b>	<b>8</b>	<b>208</b>
Sequence 0	<b>32</b>	<b>1</b>	<b>8</b>	<b>256</b>

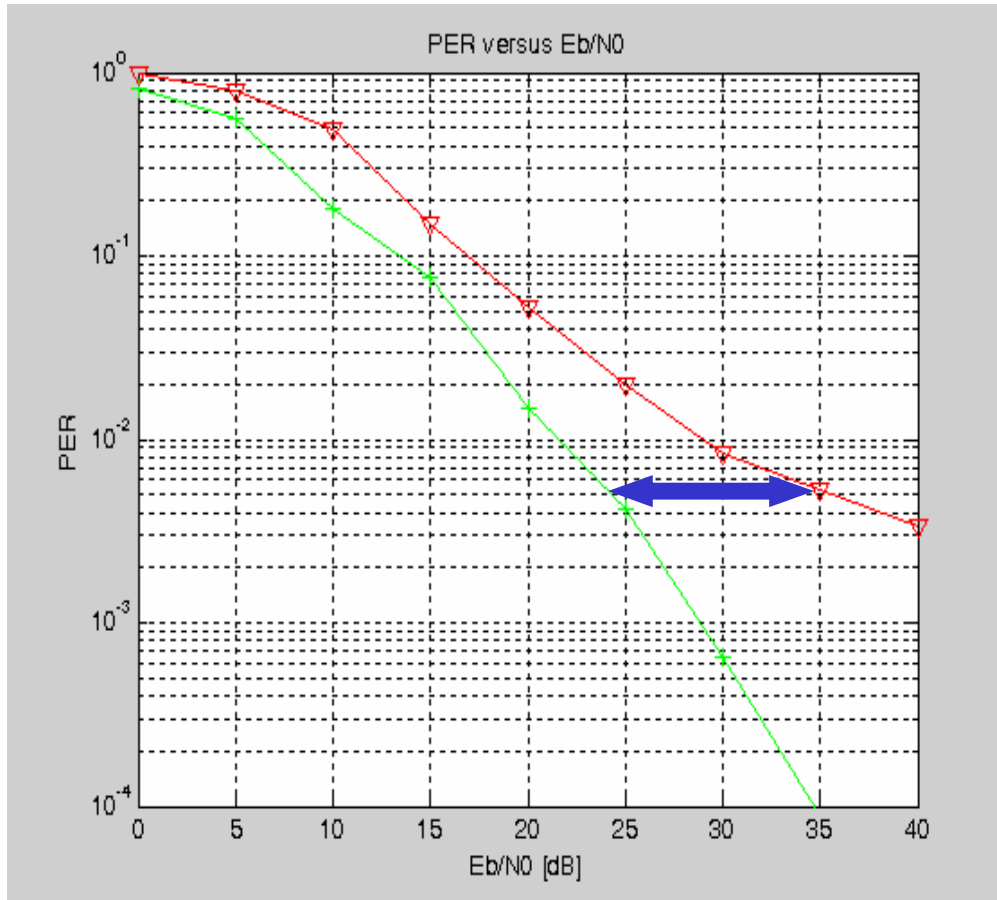
## Summary

- We propose to use PSSS 250-400 instead of PSSS 206-440 for ETSI.
- We propose also to use the new preamble base on Sequence  $C_0$  for similar design compared to the other Phys.

## Appendix

- PER versus  $E_b/N_0$  PSSS 206-440
- PER versus  $E_b/N_0$  PSSS 250-400
- PSD PSSS 250-400
- Correlative detection of current Barker code based preamble
- Correlative detection of new proposed preamble

# PER Performance PSSS 206-440 868 MHz (BPSK/ASK) – Discrete Exponential Channel, 250ns RMS Delay Spread

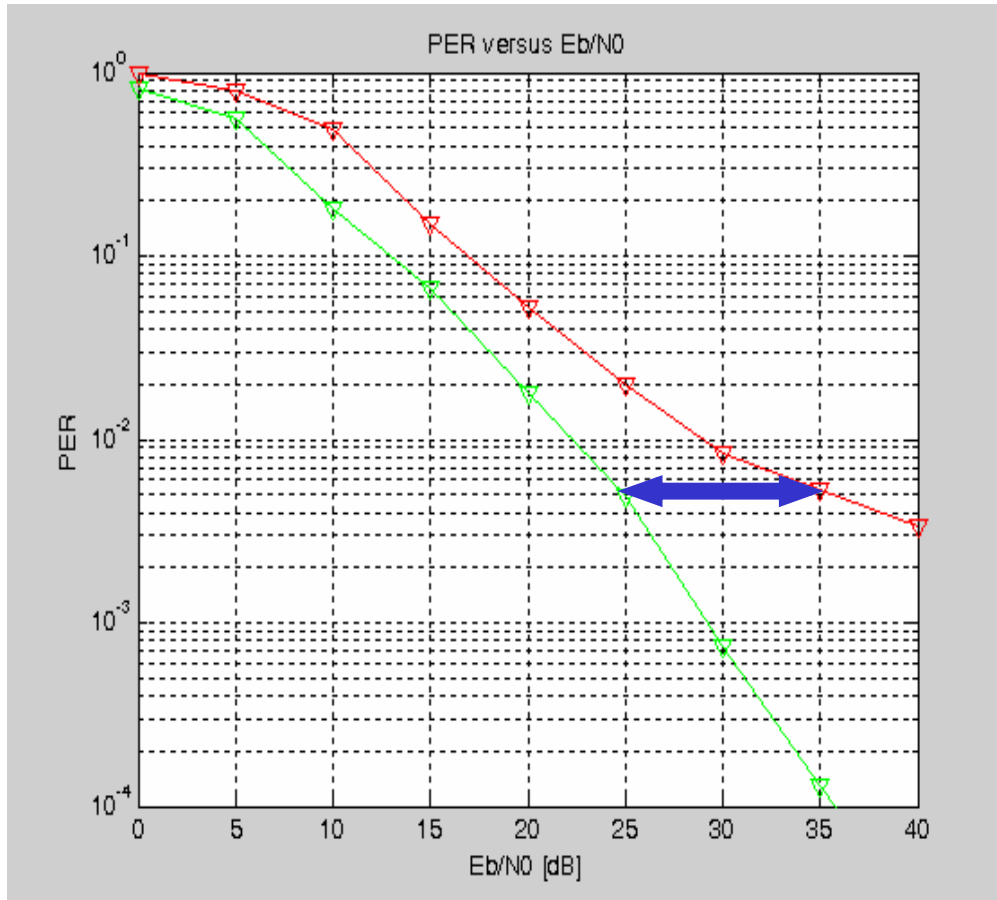


## Comparison to COBI:

- Over 11 dB performance benefit over COBI16+1
  - Expected even higher performance benefit against COBI16
- Estimated 15-18 dB performance benefit over COBI8
  - Little if any performance benefit over 868MHz FSK chips for COBI8

– PSSS 206 kbit/s    – COBI16+1 235 kbit/s    > 10000 Channel, no Rake receivers

# PER Performance PSSS 250-400 868 MHz (BPSK/ASK) – Discrete Exponential Channel, 250ns RMS Delay Spread

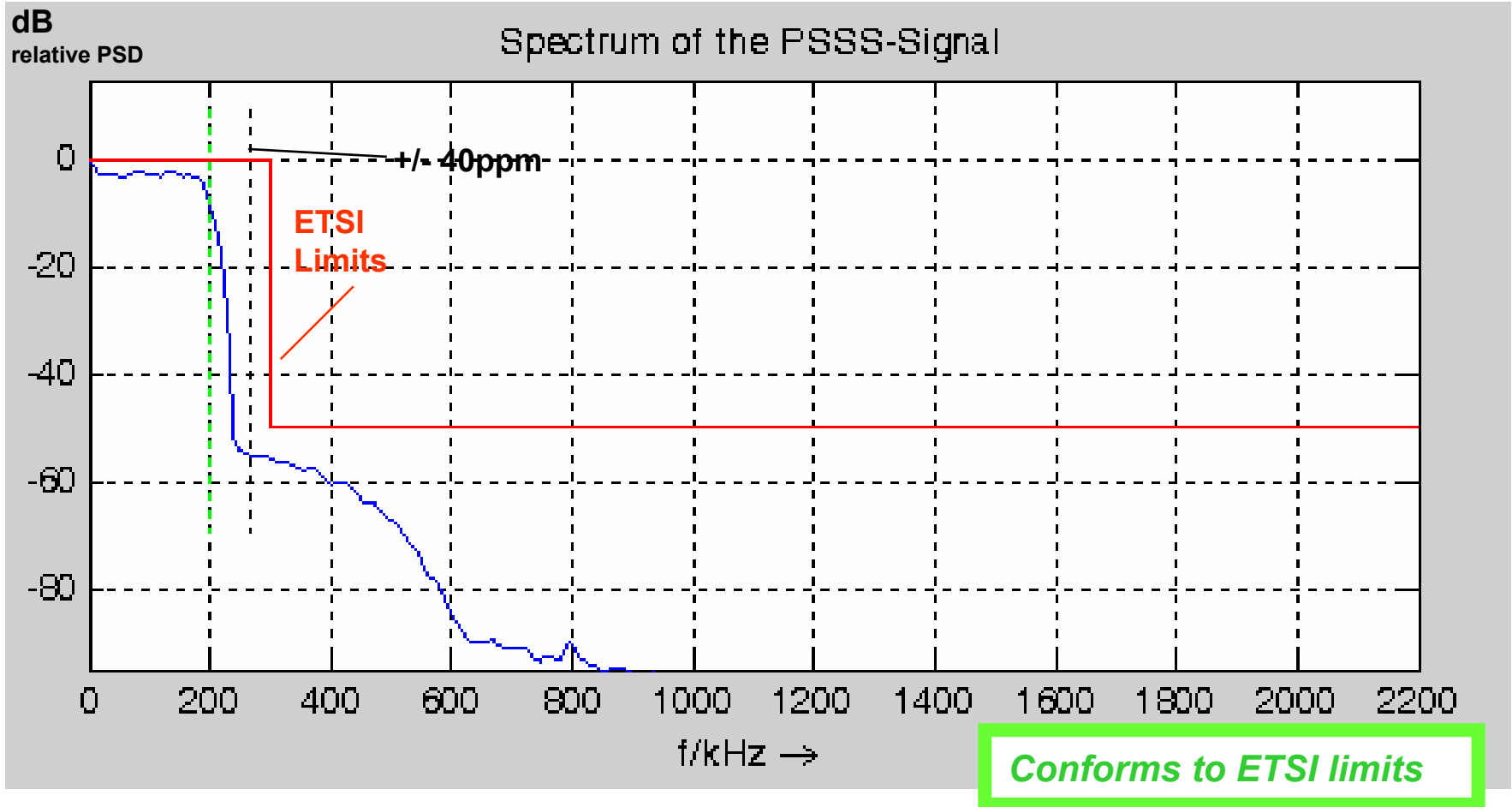


## Comparison to PSSS 206-440 868 MHz

- No visible degradation of performance

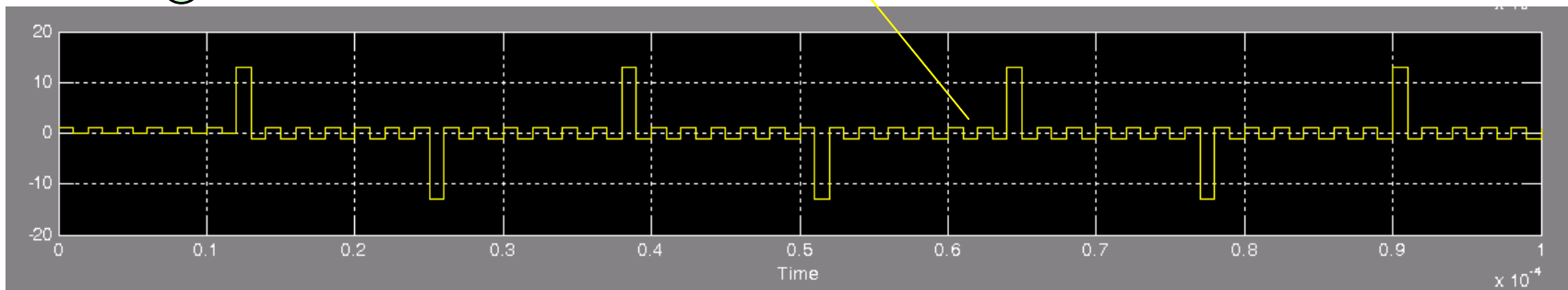
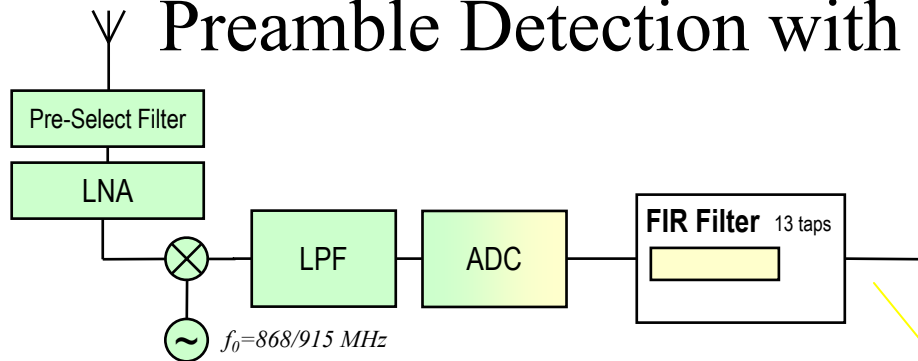
– PSSS 250 kbit/s    – COBI16+1 235 kbit/s    > 10000 Channel, no Rake receivers

# PSD for PSSS 250-400 868 MHz (in 600 KHz channel) Baseband pulse shaping non-linear “Real World PA”



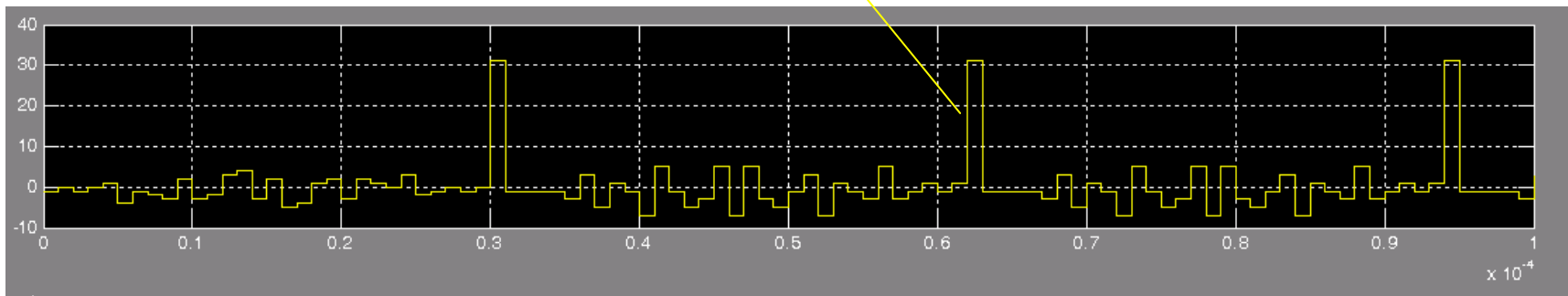
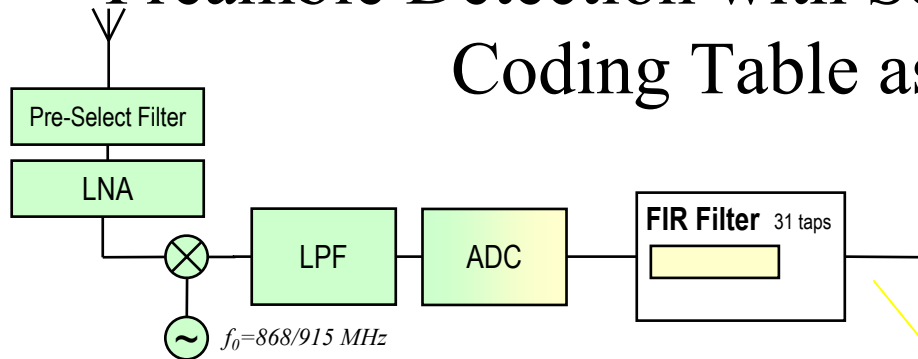
Simulations of the relative PSD in dB for the PSSS 250-400 signal: With precoding, at 400 kchip/s, 250 kbit/s, +/- 40ppm, 50% PA drive, square root raised cosine filter with  $r = 0.2$

# Preamble Detection with current Barker Code



- When detecting the current barker code based preamble with FIR filter, the signal coming out of the FIR filter has side slopes limited to +/- 1.
- Advantages:
  - DC free
- Disadvantages:
  - **Two FIR filters needed**, one for preamble detection (13 chip barker code), one for PSSS decoding (31 chip m-sequence).
  - **Not multiple of symbol duration**

# Preamble Detection with Sequence 0 of the PSSS Coding Table as preamble



- When detecting the preamble, base on repeated sequence 0 with FIR filter, the signal coming out of the FIR filter has side slopes limited to +5/-6.
- Advantages:
  - Use of just one FIR filter or correlator for preamble detection and PSSS decoding.
  - **32 chip long preamble code.= multiple of symbol duration and similar to other phys.**
  - DC free